



Pali Design, Inc.

1525 Hymus Boul.
Dorval, QC
H9P-1J5 Canada
Phone: 1-514-421-0309

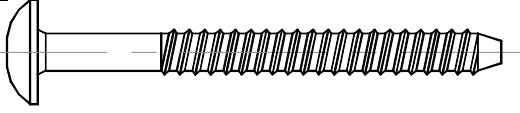
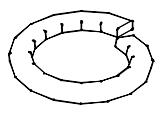

customerservice@pali-design.com

www.pali-design.com

Assembly Instructions

Arezzo 5-Drawer Dresser

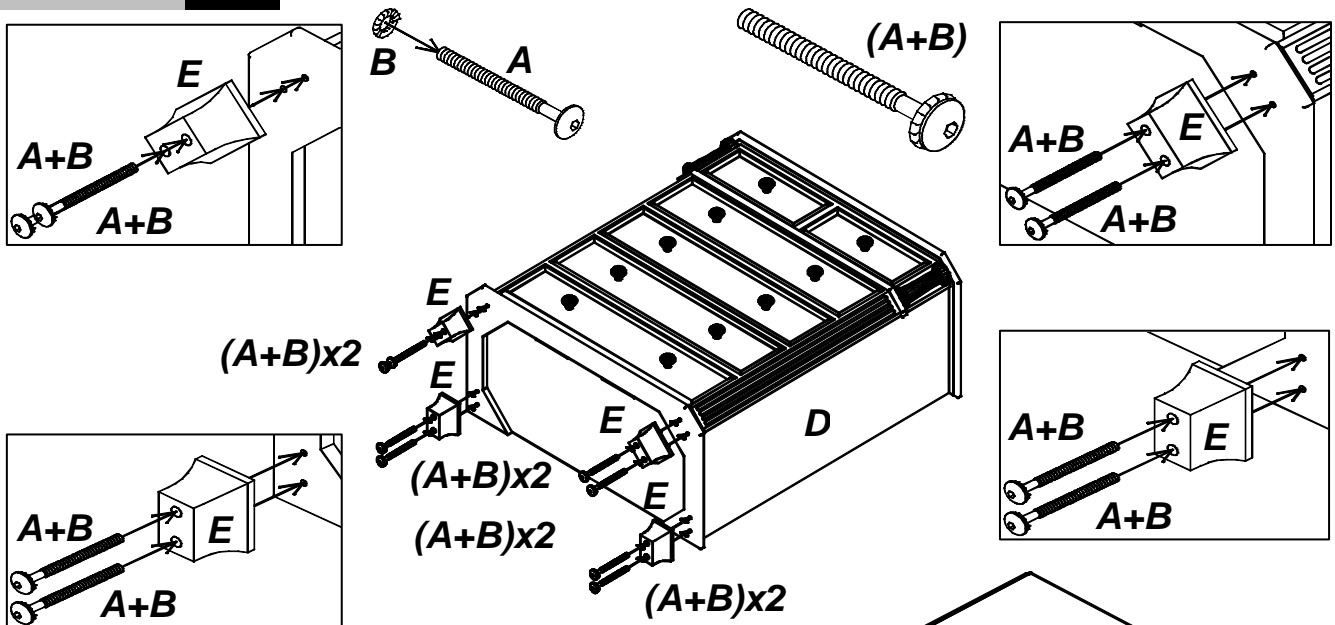
Hardware List:

A	Allenhead Bolt (60 mm)	B	Spring Washer	C	Allen Wrench
8x		8x		1X	
Parts List:		1x	Double Dresser (D)	4x	Leg (E)
Adult assembly is required.					

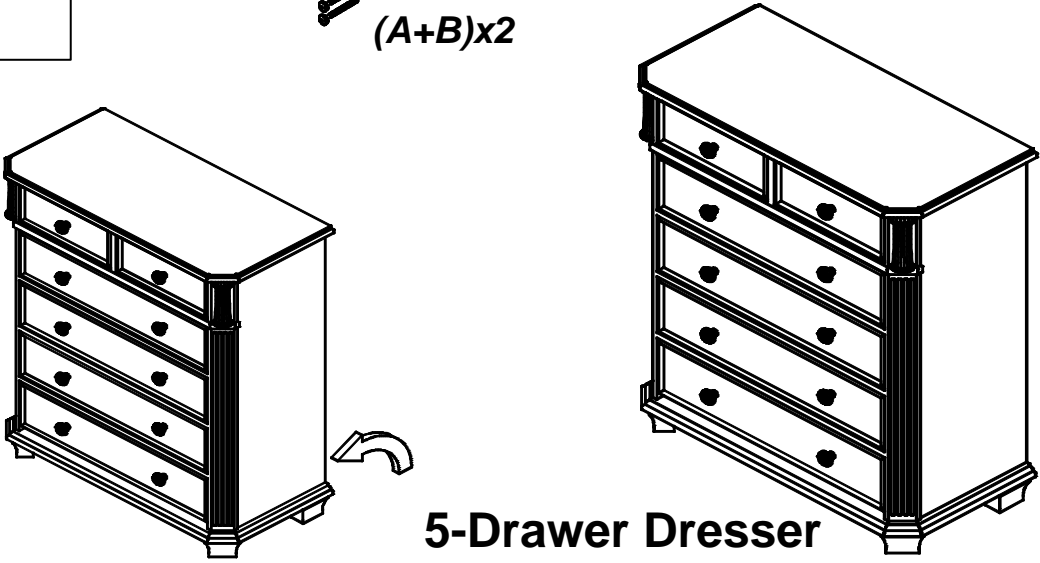
5-Drawer Dresser

Step 1

Assembling 5-Drawer Dresser



Note: Flip the furniture to it's upright position.



5-Drawer Dresser

CARE AND MAINTENANCE



When cleaning your furniture, please use a non-toxic, non-abrasive cleaner. Mix a solution of water with a small amount of mild dishwashing liquid. Apply to furniture surface with a soft, damp cloth lightly dampened in solution. After cleaning, dry completely with a soft, dry cloth.