

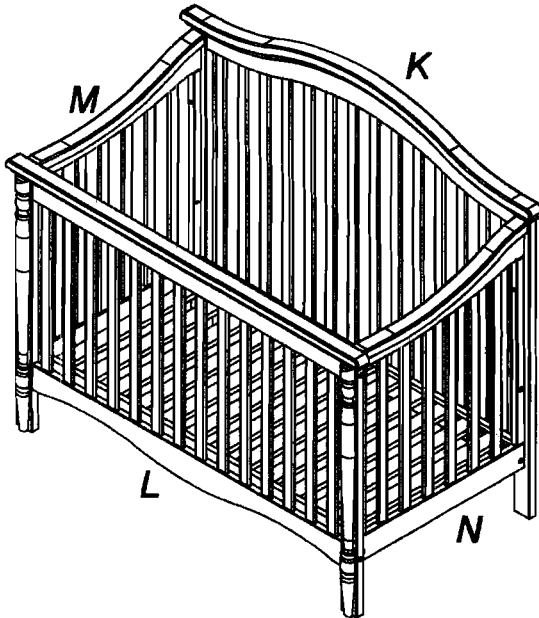


MADE IN BRAZIL

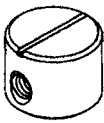

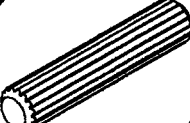
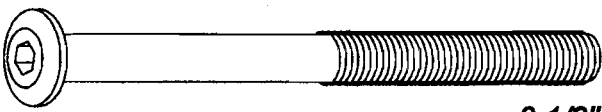

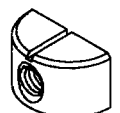

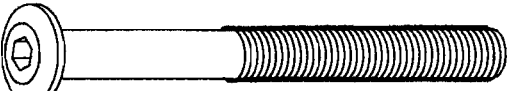
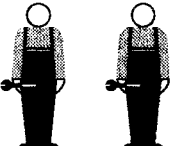
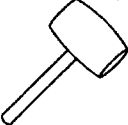
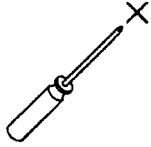
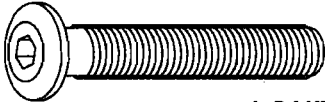
PALI Design, Inc.
 1525 Hymus Blvd.
 Dorval, Quebec, Canada H9P-1J5
 tel 514.421.0309
 fax 514.421.5891
 e-mail info@pallitaly.com
 www.pallitaly.com

Assembly instructions

Clara Crib



This crib has been designed for your child's comfort and your convenience. Quality material and workmanship have gone into this crib which will provide a sound and comfortable bed for your baby if properly assembled and maintained. For the security of your child and your own peace of mind be sure to follow the assembly instructions exactly. A periodic check should be made of all bolts and screws, which should be tightened if needed. Moisture and heat are harmful to the finish; for this reason use extreme caution when a vaporizer is in use. The vapor steam should always be aimed away from the crib as well as away from any other wood furniture. Some types of soft plastic toys could damage the finish when placed against it.

A  4x	B  10x	C  4x	D  3 1/2" 4x
E  2x	F  4x	G  1x	H  2 3/4" 6x
	Tools needed for assembly  		I  1 3/4" 4x

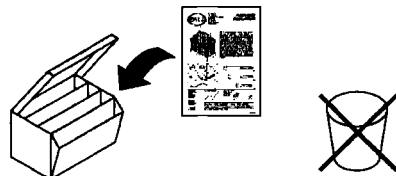
- Crib parts list**
 1 mattress base *
 2 ends *
 1 back side **
 1 front side **
 2 toumed **

- Bed part list**
 2 long rails ***
 4 bottom rails ***
 2 toumed ***

- * box 1 of 2
 ** box 2 of 2
 *** universal kit

INSTRUCTION LEAFLET

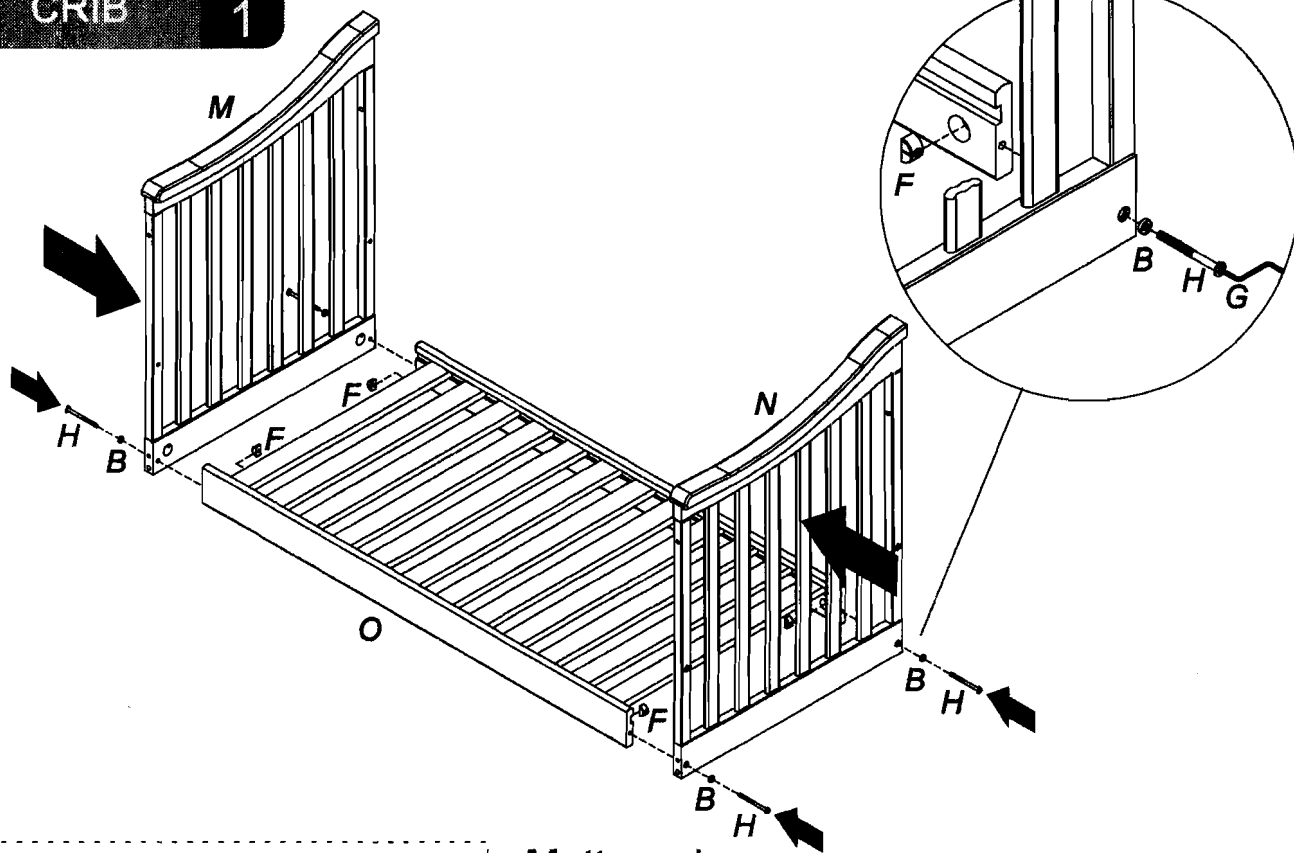
Important, keep for future reference.
 Read carefully



IMPORTANT: In order to properly assemble the crib, carry out the operations in the order specified. Failure to assemble the crib in the manner recommended could make the crib hazardous. Carefully remove and lay out all parts. Familiarize yourself with all diagrams to facilitate the assembly of your crib. Check parts enclosed in hardware bay with the **HARDWARE PARTS LIST** to be sure all are included and quantities are correct.

CRIB

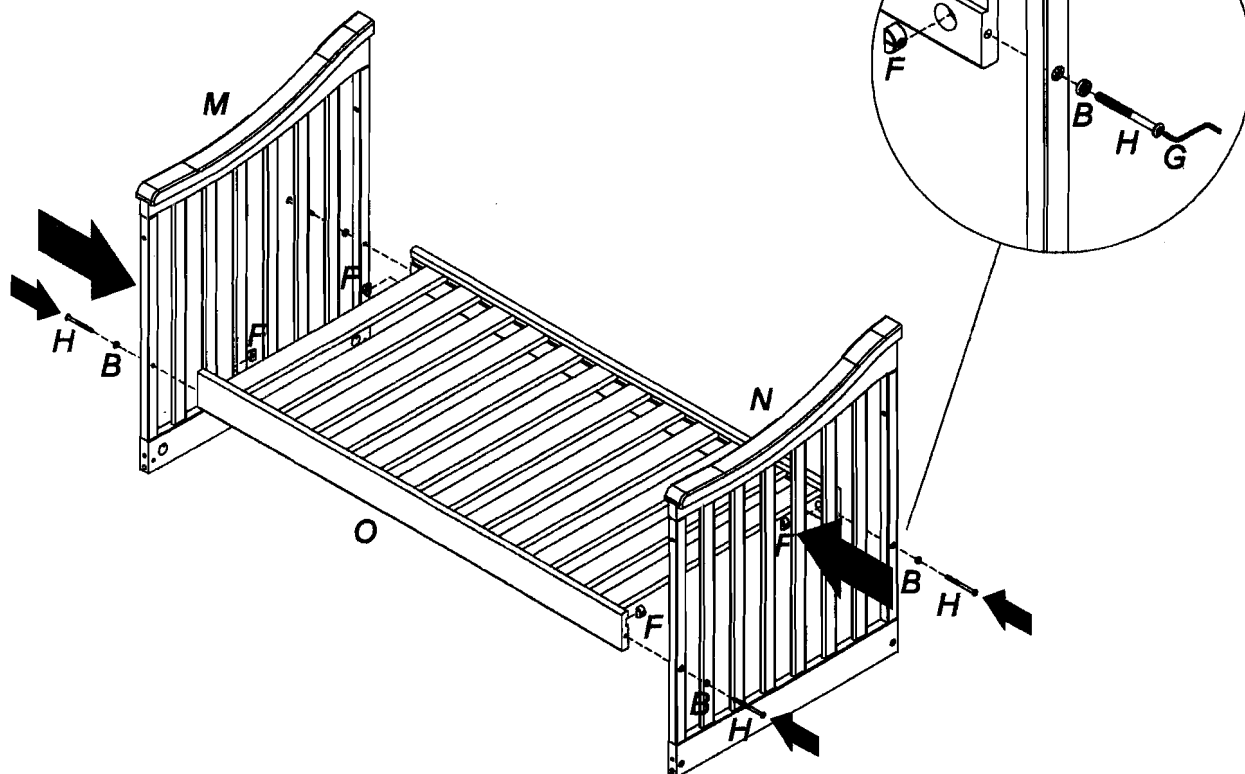
STEP
1



This crib has a high base position for use in your baby's first months. As soon as baby starts to sit up you must use the lowest mattress base position. To assemble the crib with the high base position see step 1.

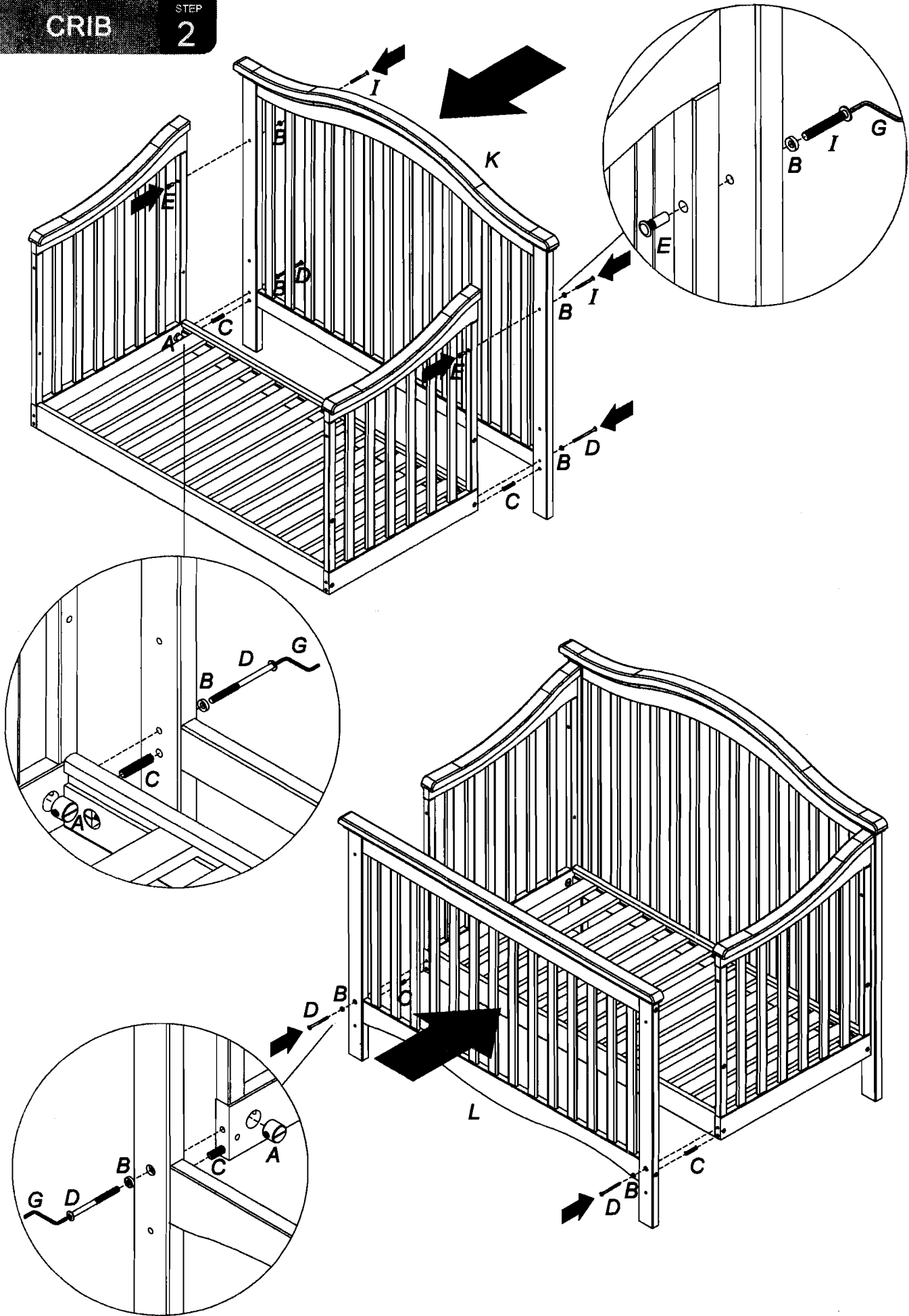
Mattress base lower position

Mattress base higher position



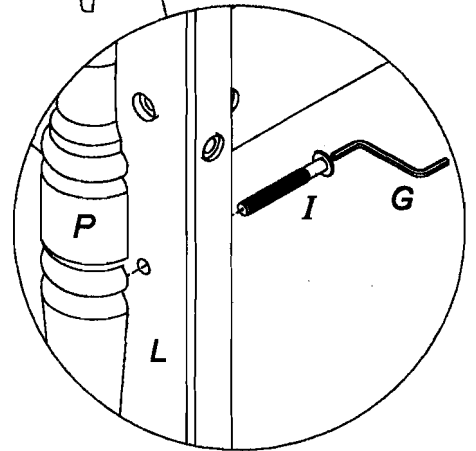
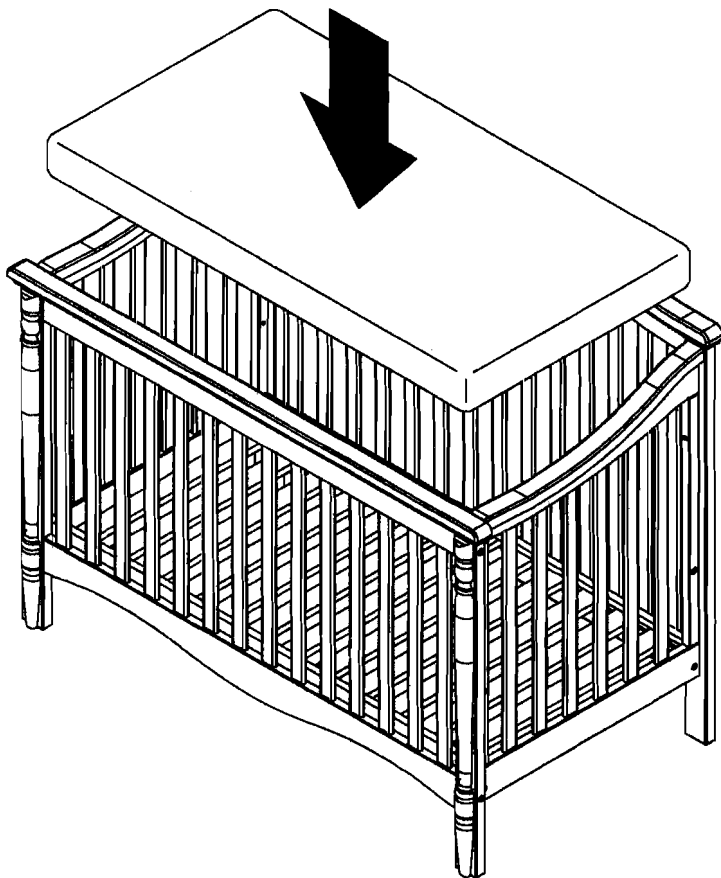
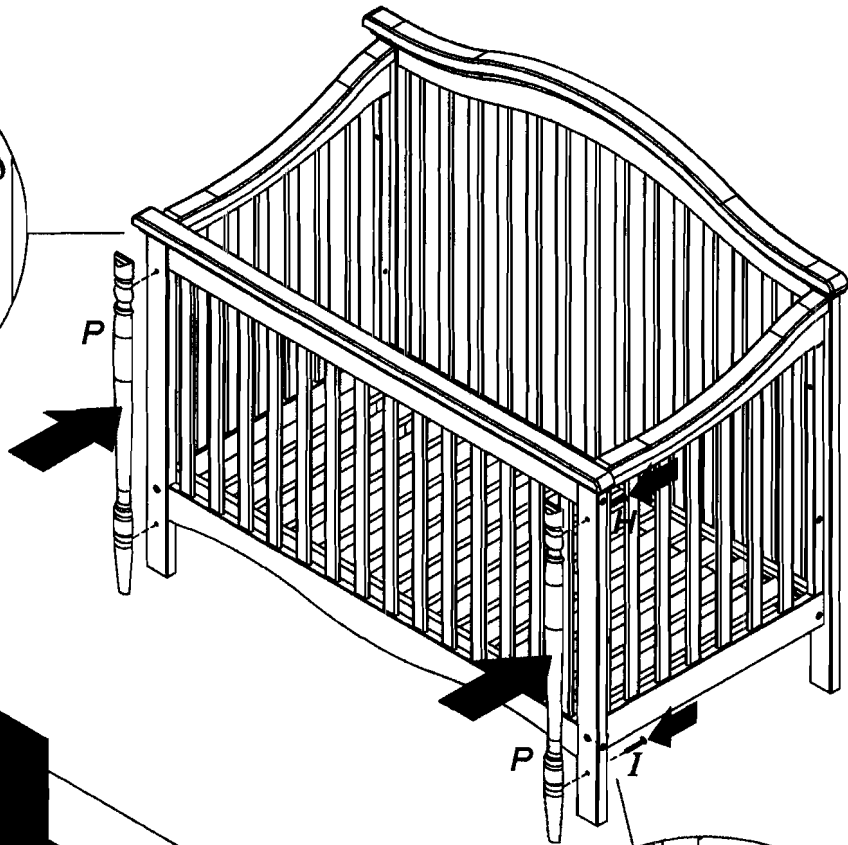
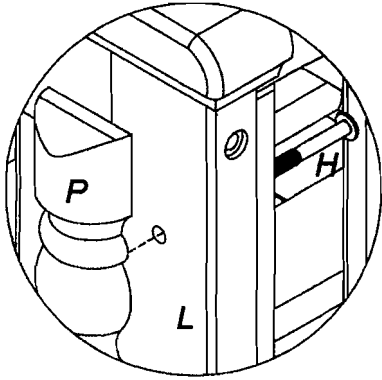
CRIB

STEP 2



CRIB

STEP 3



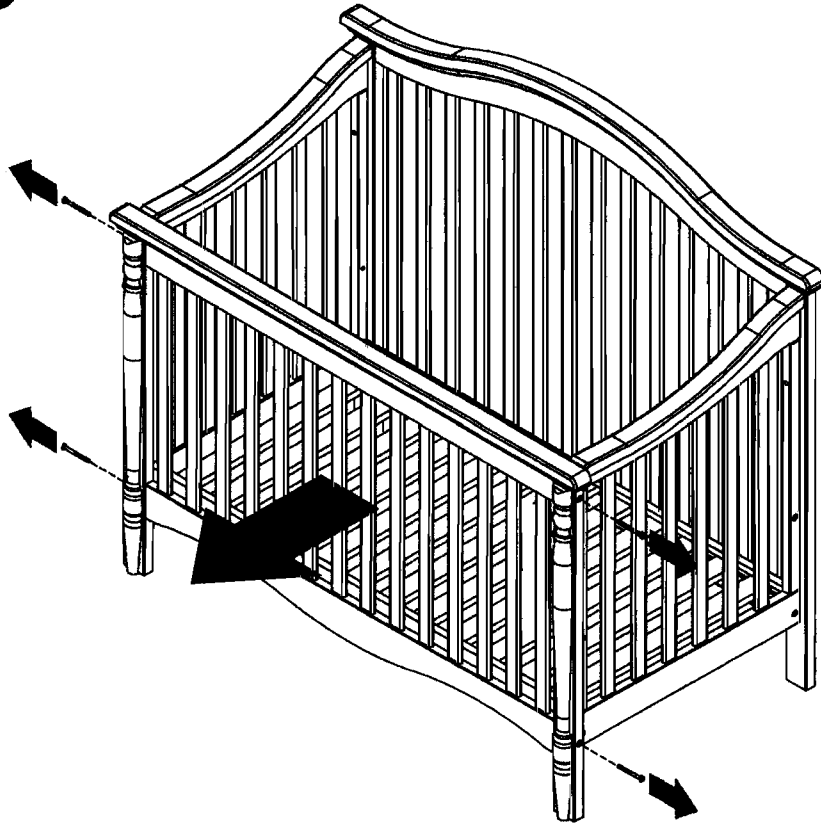
Crib



**TODDLER
BED**

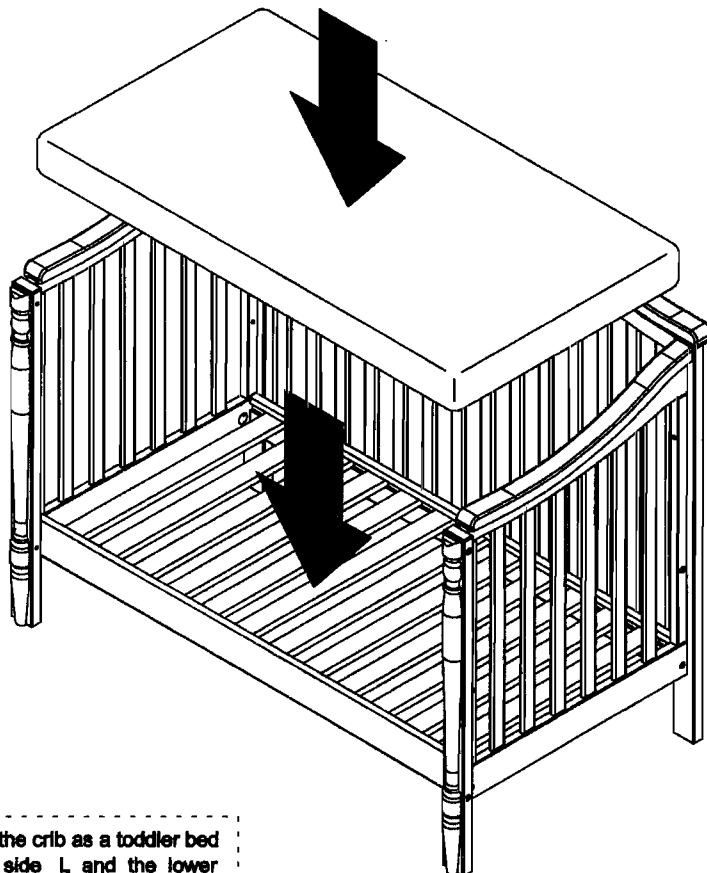
STEP
1

Transforming crib into a toddler bed

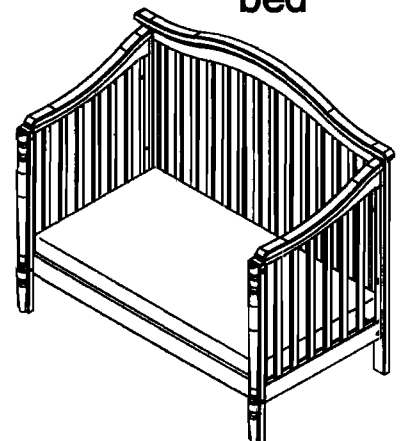


**TODDLER
BED**

STEP
2



**Toddler
bed**



When using the crib as a toddler bed remove the side L and the lower position must be used.

!WARNING!

FAILURE TO FOLLOW THESE WARNINGS AND ASSEMBLY INSTRUCTIONS COULD RESULT IN SERIOUS INJURY OR DEATH.

KEEP THESE INSTRUCTIONS FOR FUTURE USE.

BEFORE each assembly inspect crib for damaged hardware, loose joints, missing parts or sharp edges. Upon completion of assembly be sure all screws, bolts and fastening devices have been tightened securely. A frequent check should be made during the use of the crib to make sure all parts remain tight and secure.

DO NOT use any crib if any parts are missing or broken.

DO NOT substitute parts!

DO NOT place crib near window where cords from blinds or drapes may strangle a child.

DO NOT use a waterbed mattress.

DO NOT leave child in crib with the side lowered. Be sure side is in raised and locked position whenever child is in crib.

DO NOT tie pacifiers, necklaces or any other items around a child's neck or on crib parts. **THIS COULD CAUSE STRANGULATION!**

WHEN CHILD IS ABLE TO PULL INTO A STANDING POSITION lower the mattress to the lowest position. Remove all bumper pads, large toys and other objects that could serve as steps for climbing out. When child is able to climb out or reaches the height of 35 inches, the crib must no longer be used. The child should then be transferred to a youth or regular bed.

If refinishing the crib, use only a non-toxic finish specified for children's products.

Never use plastic shopping bags or other plastic film as a mattress protector because they can cause suffocation.

**ANY MATTRESS USED IN THIS CRIB
MUST BE AT LEAST 27 $\frac{1}{4}$ " , BY 51 $\frac{5}{8}$ "
WITH A THICKNESS NOT EXCEEDING 6".**

(The dimensions shall be taken seam-to-seam or edge-to-edge where appropriate.)

This crib conforms to the applicable regulations of the Consumer Product Safety Commission.

MAINTENANCE ADVICE

For cleaning and conservation of this product, only use a soft cloth (flannel), dampened with water and neutral soap (free of ammonia)

Do not use alcohol, detergents, abrasives, etc. Do not expose the product to direct sunlight, any source of heat or environments with too much dust.

Avoid extremes in temperatures and humidity that can cause the appearance of cracks, openings on the glue lines and veneers.

Dry immediately any sprinkles with a soft clean cloth.