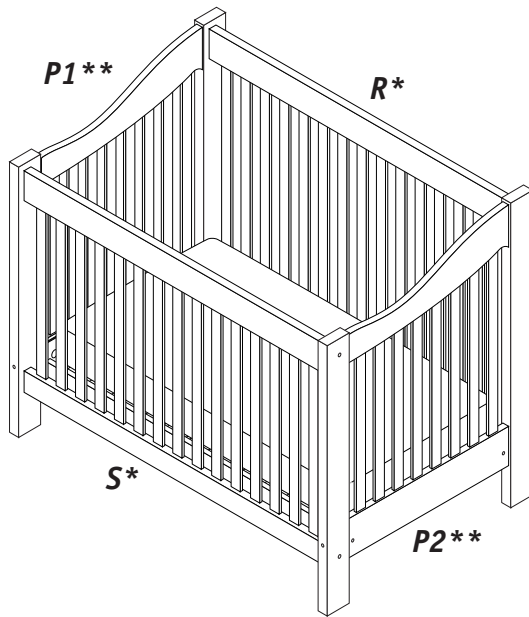




PALI spa
 via del Collio 67
 33048 San Giovanni al Natisone
 Udine Italy
 tel. +39 0432 756074
 fax +39 0432 757623
 info@pali.it
 www.pali.it

Assembly instructions

ref: *Caterina*



This crib has been designed for your child's comfort and your convenience. Quality material and workmanship have gone into this crib which will provide a sound and comfortable bed for your baby if properly assembled and maintained. For the security of your child and your own peace of mind be sure to follow the assembly instructions exactly. A periodic check should be made of all bolts and screws, which should be tightened if needed. Moisture and heat are harmful to the finish; for this reason use extreme caution when a vaporizer is in use. The vapor steam should always be aimed away from the crib as well as away from any other wood furniture. Some types of soft plastic toys could damage the finish when placed against it.

- * box 1 of 3
- ** box 2 of 3
- *** box 3 of 3

A* 4x	B* 4x	C* long bolt 4x	D* 4x	E* 6x	F* plastic washer 4x	G* mattress base supports 4x	H* short bolt 8x
J* 4x	K* wooden pegs 8x	L*** 8x	M*** 8x	X* 2x	 2x	Y* 1x	

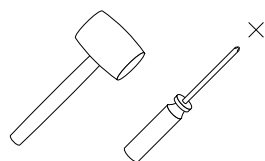
Crib parts list

- 1 mattress base (N) **
- 2 ends (P1+P2) **
- 1 back side (R) *
- 1 front side (S) *

Bed parts list

- 2 long rails (U) ***
- 4 bottom rails (V) ***

Tools needed for assembly



INSTRUCTION LEAFLET

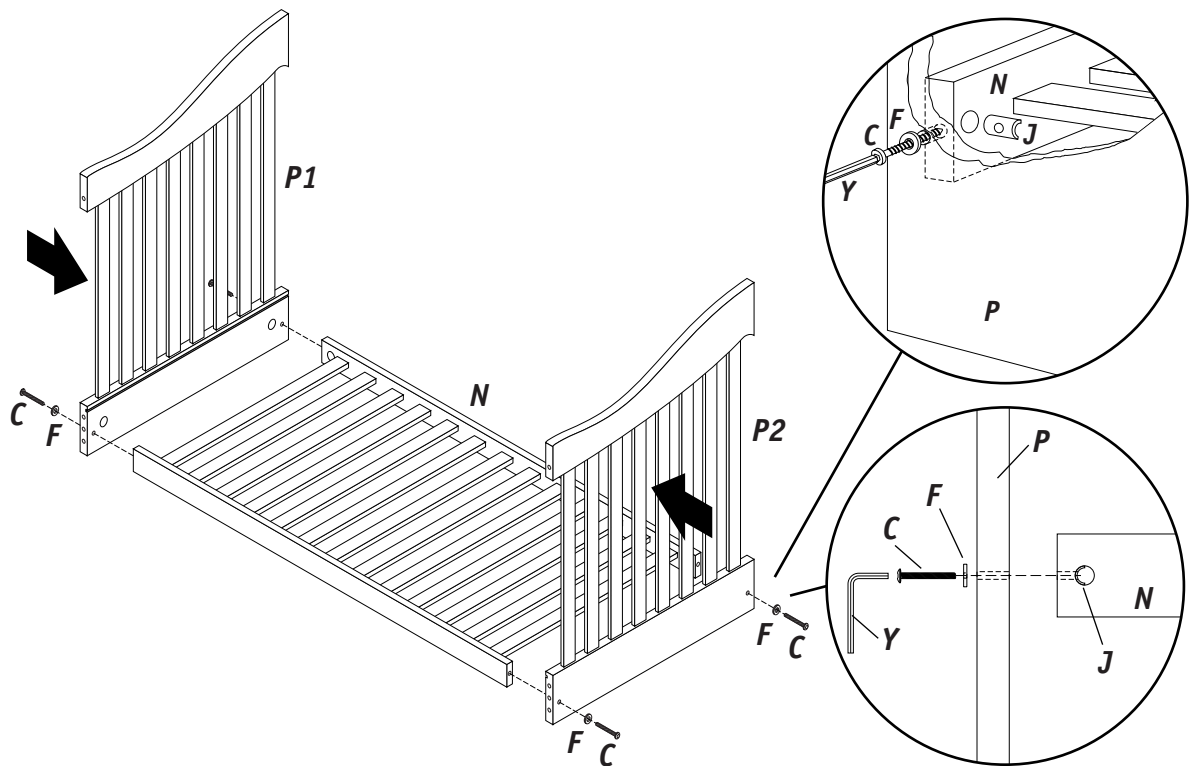
Important, keep for future reference.
 Read carefully



IMPORTANT: In order to properly assemble the crib, carry out the operations in the order specified. Failure to assemble the crib in the manner recommended could make the crib hazardous.

Carefully remove and lay out all parts. Familiarize yourself with all diagrams to facilitate the assembly of your crib. Check parts enclosed in hardware bag with the **HARDWARE PARTS LIST** to be sure all are included and quantities are correct.

Assembling crib



This crib has a high base position for use in your baby's first months.

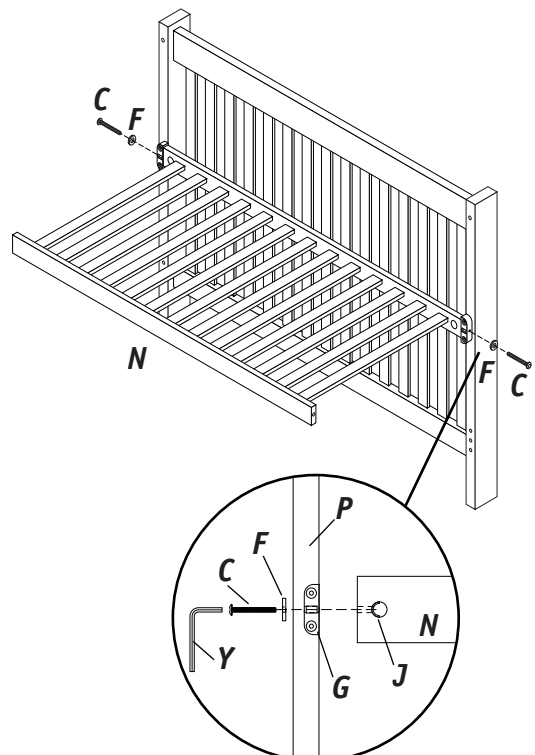
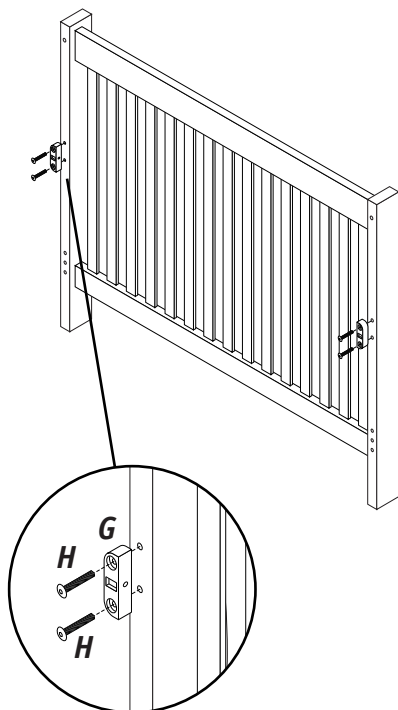
As soon as baby starts to sit up you must use the lowest mattress base position.

To assemble the crib with the high base position see step 1.

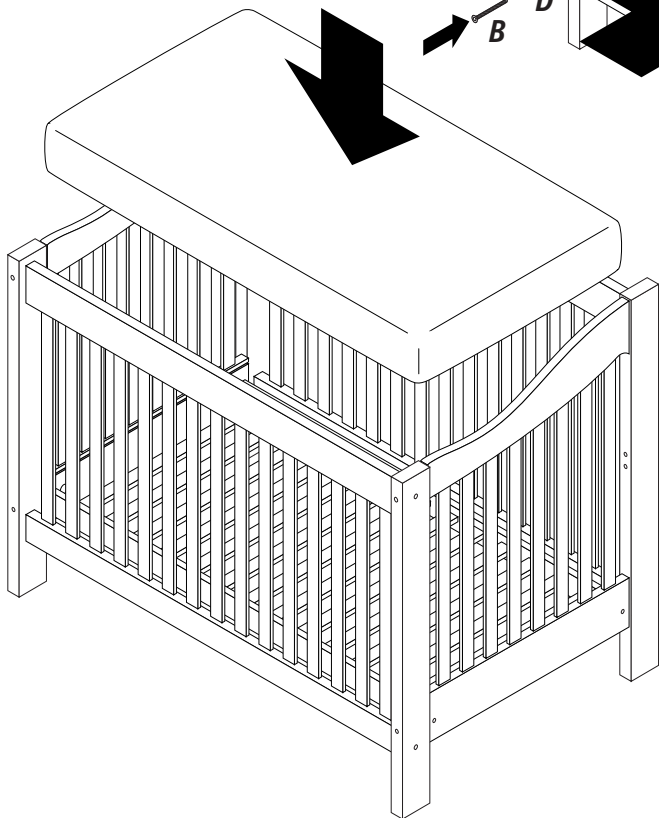
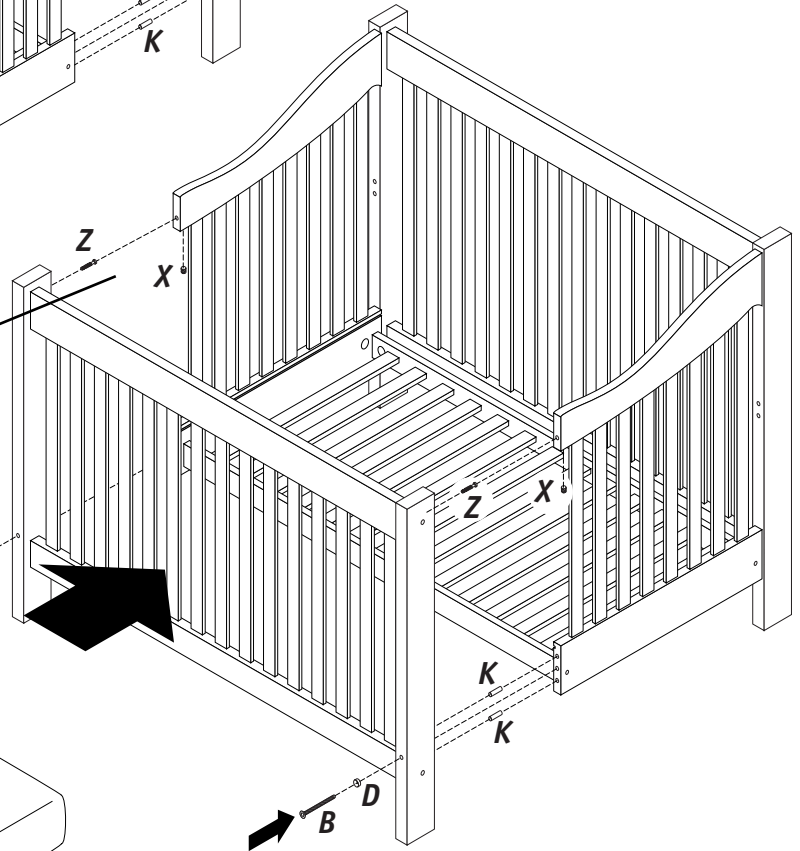
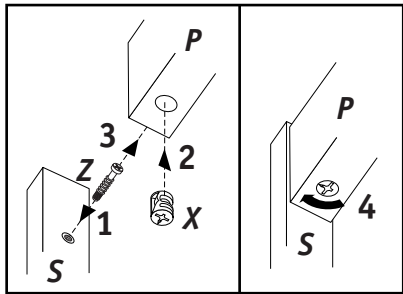
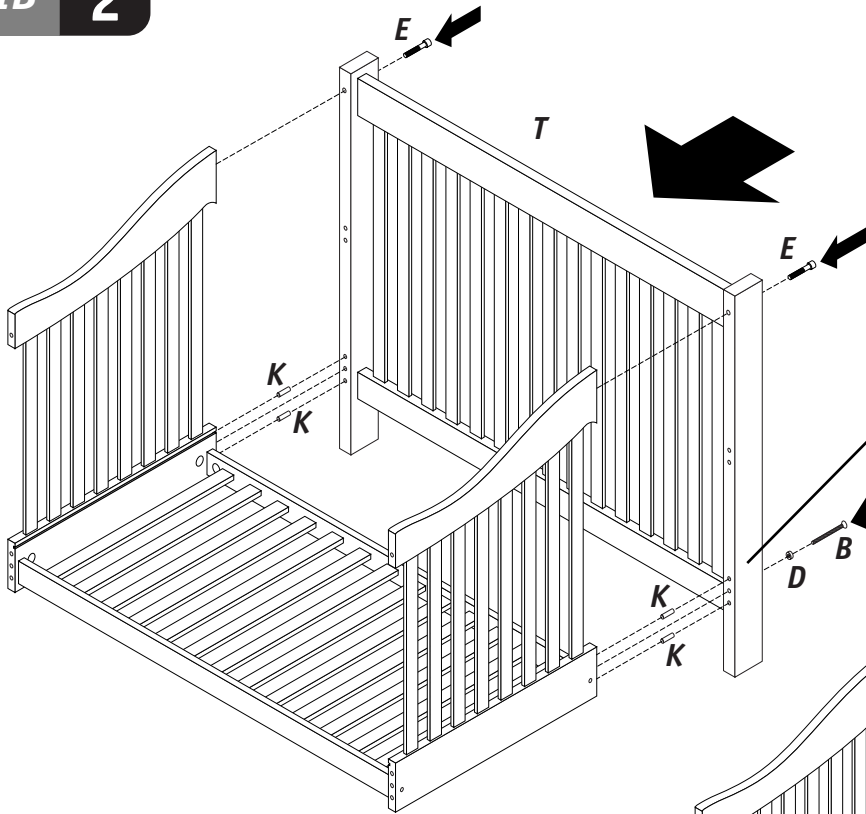
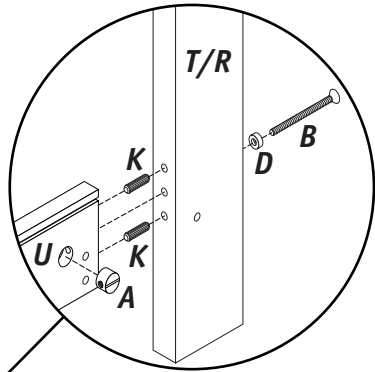
When using the crin as a toddler bed remove the side S and the lower position must be used.

Mattress base lower position

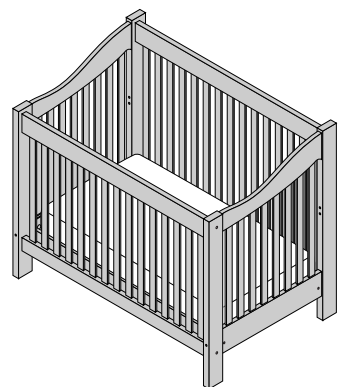
Mattress base higher position



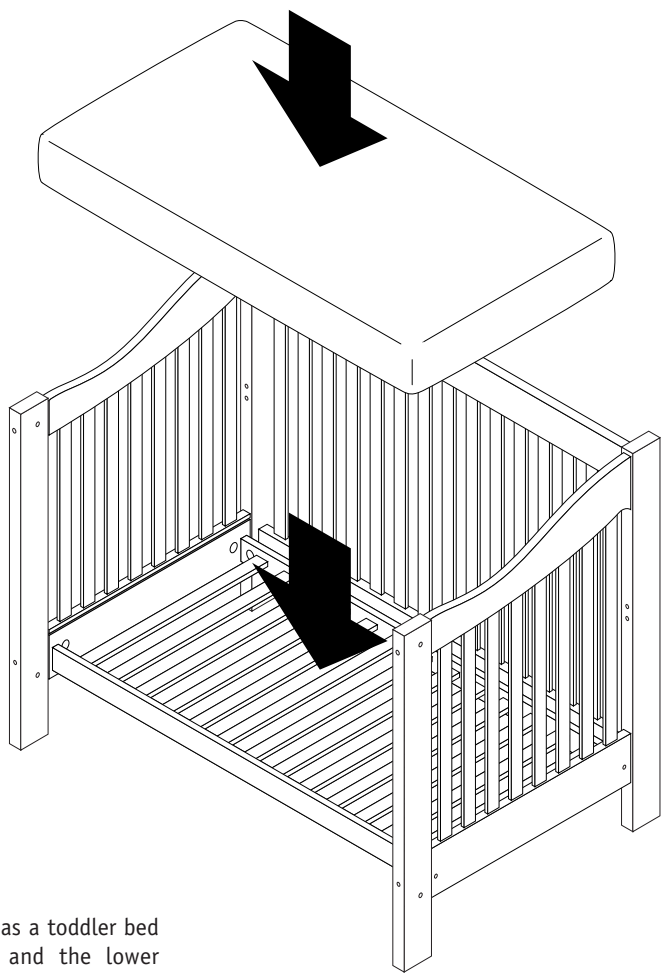
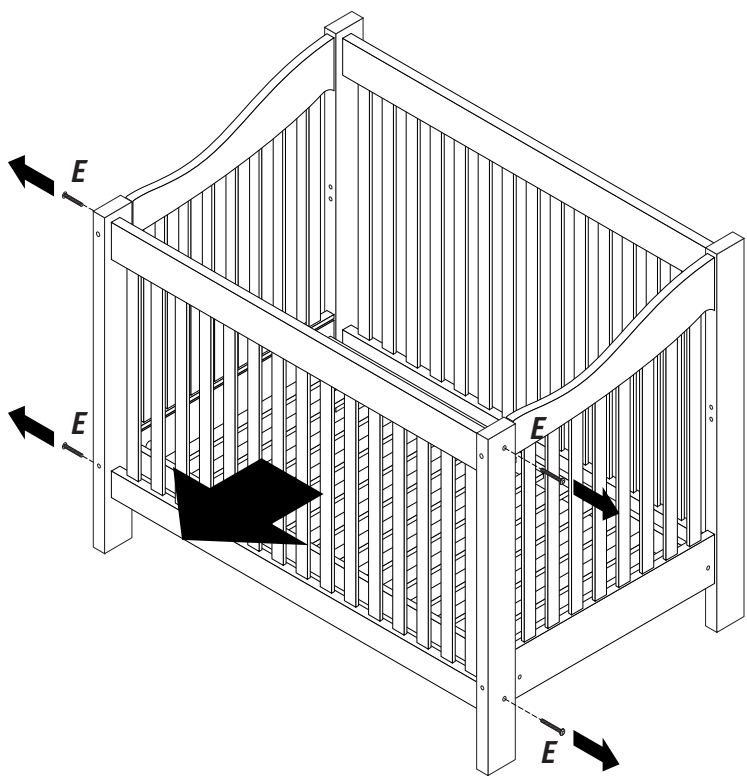
CRIB STEP **2**



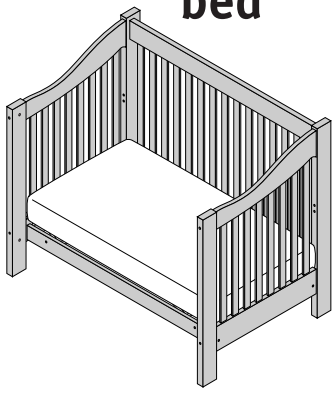
Crib



Transforming crib into a toddler bed

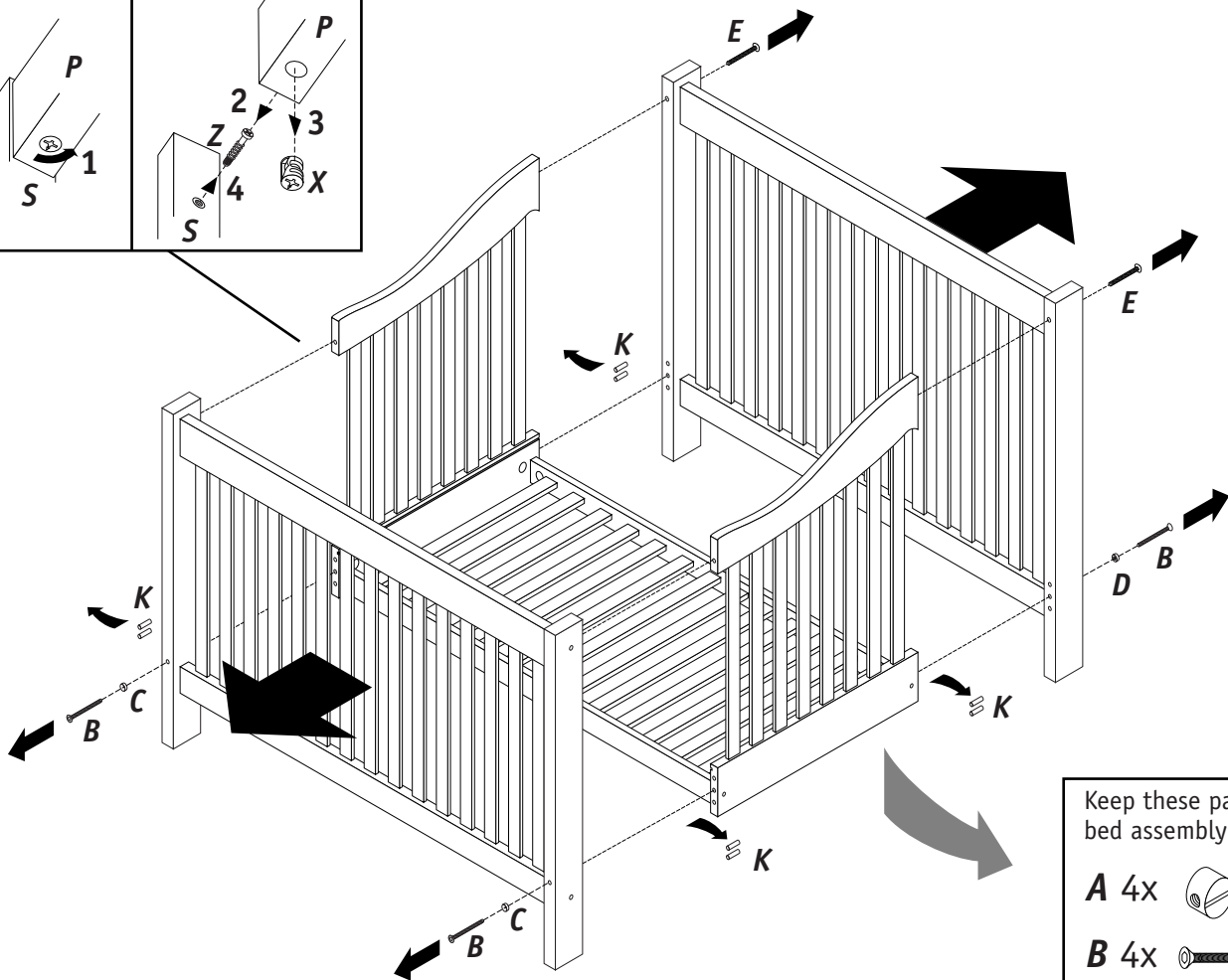
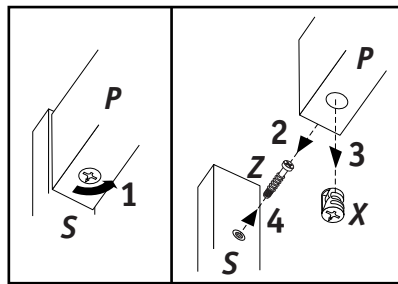






**Toddler
bed**

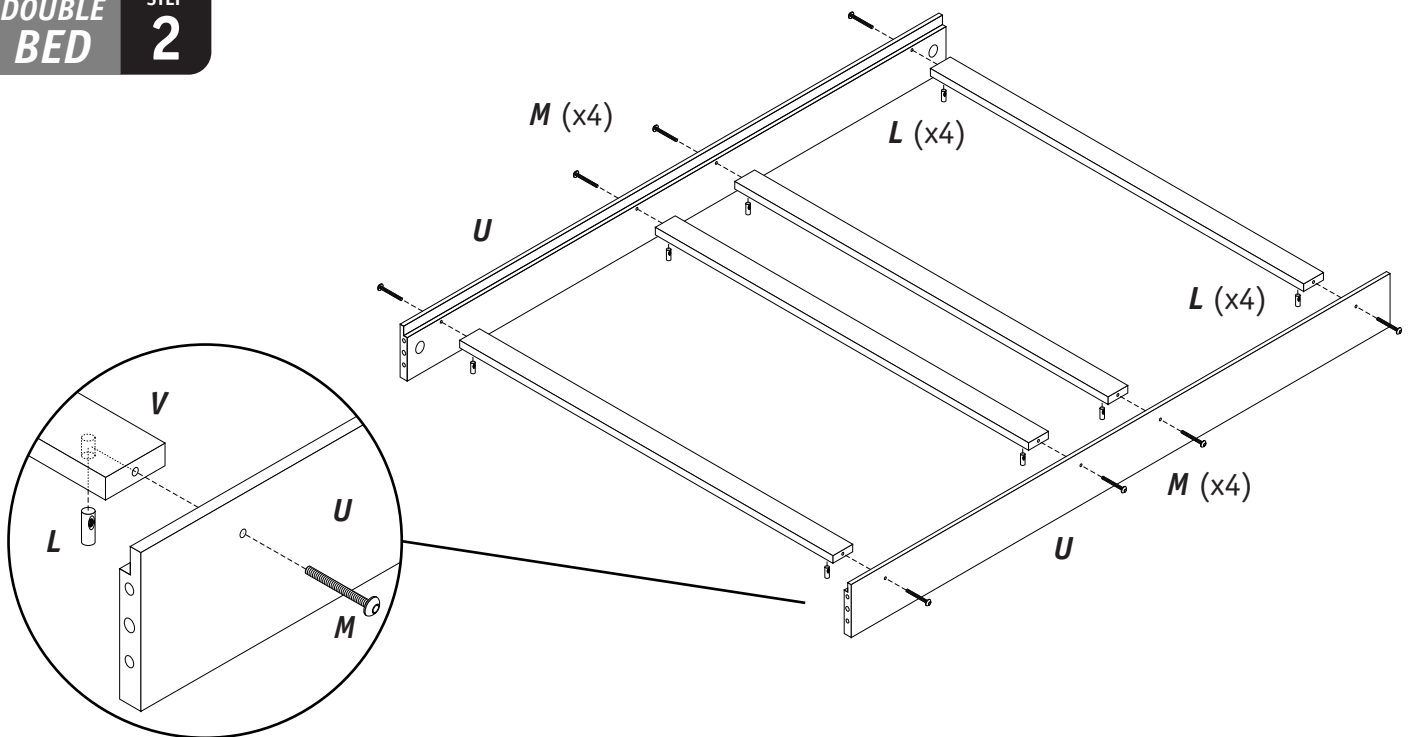


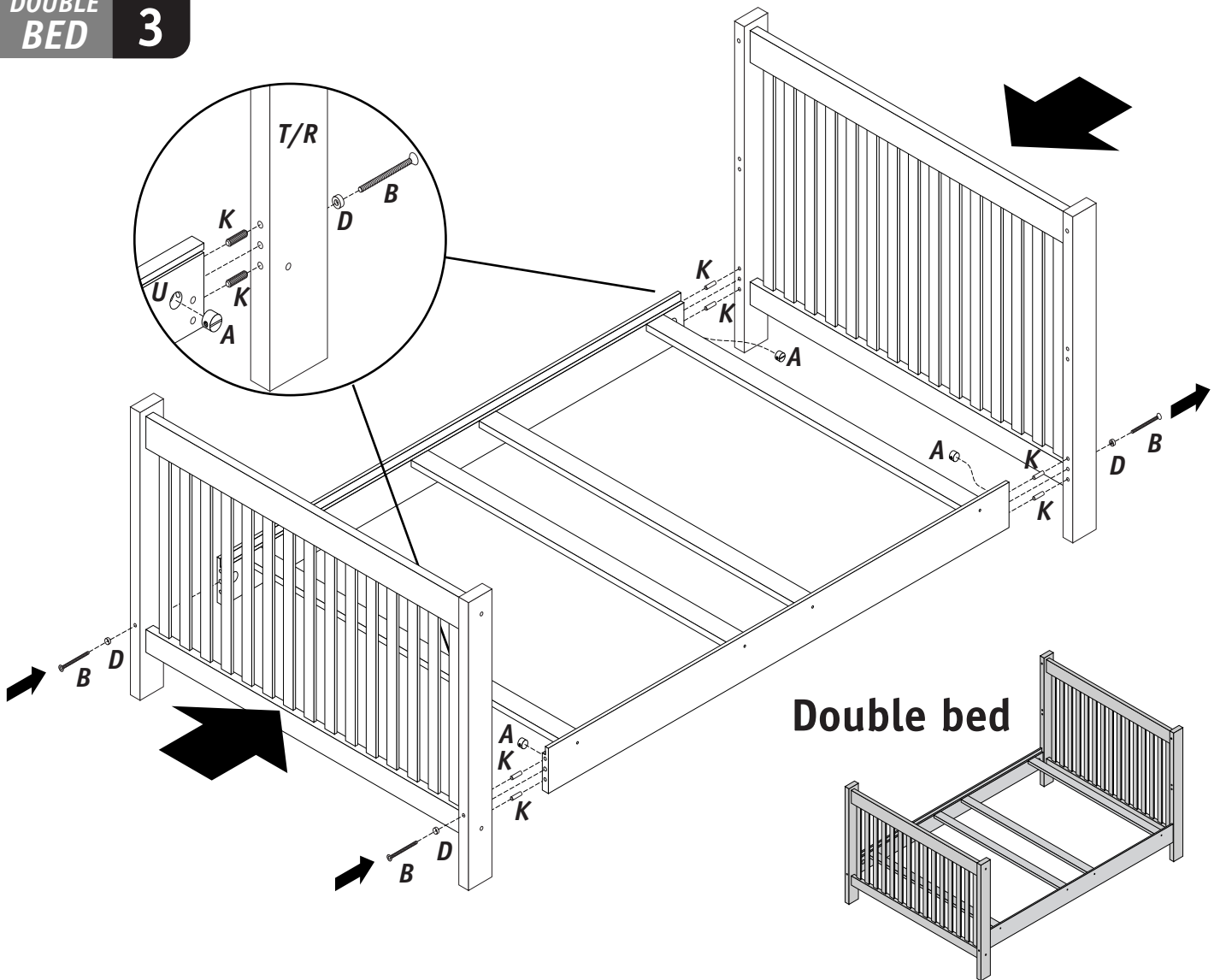
When using the crib as a toddler bed remove the side S and the lower position must be used.

Transforming crib into a double bed



- Keep these parts for bed assembly
- A** 4x 
 - B** 4x 
 - C** 4x 
 - K** 8x 





WARNING

This crib conforms to the applicable regulations of the Consumer Product Safety Commission.

FAILURE TO FOLLOW THESE WARNINGS AND ASSEMBLY INSTRUCTIONS COULD RESULT IN SERIOUS INJURY! KEEP THESE INSTRUCTIONS FOR FUTURE USE.

Before each usage or assembly, inspect crib for damaged hardware, loose joints, missing parts or sharp edges. DO NOT use crib if any parts are missing or broken. DO NOT substitute parts!

When child is able to climb out or reaches the height of 35 inches (90 centimeters), the crib must no longer be used. The child should then use a youth or regular bed.

DO NOT place crib near window where cords from blinds or drapes may strangle a child.

If refinishing this crib, use a non-toxic finish specified for children's products.

When child is 4 months old lower mattress to lowest position and remove bumper pads, large toys and other objects that could serve as steps for climbing out.

Never use plastic shopping bags or other plastic film as mattress covers because they can cause suffocation.

DO NOT use a water bed filled mattress with this crib.

DO NOT leave child in crib with side lowered. Be sure side is in raised and locked position whenever child is in crib.

DO NOT tie pacifiers, necklaces or any others items around a child's neck or on crib parts. THIS COULD CAUSE STRANGULATION!

Any mattress used in this crib must be at least 27 1/4 inches, (69 centimeters) by 51 5/8 inches (131 centimeters), with a thickness not exceeding 6 inches (15 centimeters).

The dimensions of the mattress shall be taken seam-to-seam or edge-to-edge where appropriate.

Upon completion of assembly be sure all screws, bolts and fastening devices have been tightened securely.

A frequent check should be made of all screws, bolts, and fasteners, which should be tightened if necessary.