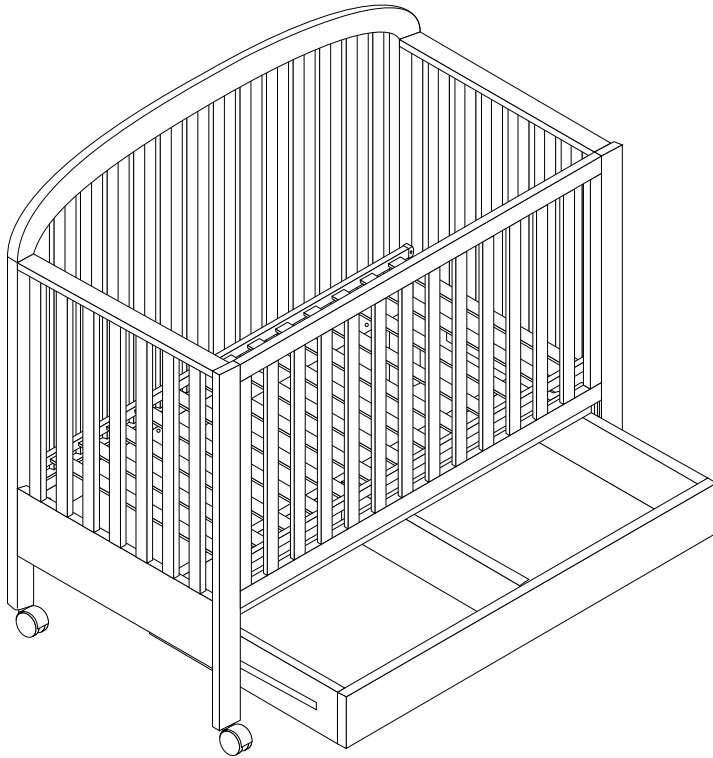




PALI spa  
 Via del Collio 67  
 33048 San Giovanni al Natisone  
 Udine Italy  
 tel. +39.432.756074  
 fax +39.432.757623  
 e-mail info@paliitaly.com  
 www.paliitaly.com

# Assembly instructions

*Jennifer / Juliana / Lily*  
 ref: *Transfo cribs 2004 one frame rail*



Attractively designed as a crib whose big side can be converted into a headboard for a double bed.  
**READ ALL INSTRUCTIONS BEFORE ASSEMBLING CRIB.**

<b>A</b>  4x	<b>B</b>  2x	<b>C</b>  4x	<b>D</b>  6x	<b>E</b>  2x	<b>F</b>  2x	<b>G</b>  4x
<b>H</b>  1x	<b>I</b>  2x	<b>J</b>  2x	<b>K</b>  2x (left + right)	<b>L</b>  4x LILY CRIB DOES NOT ACCEPT THE CASTERS	<b>Tools needed for assembly</b>  ✕	

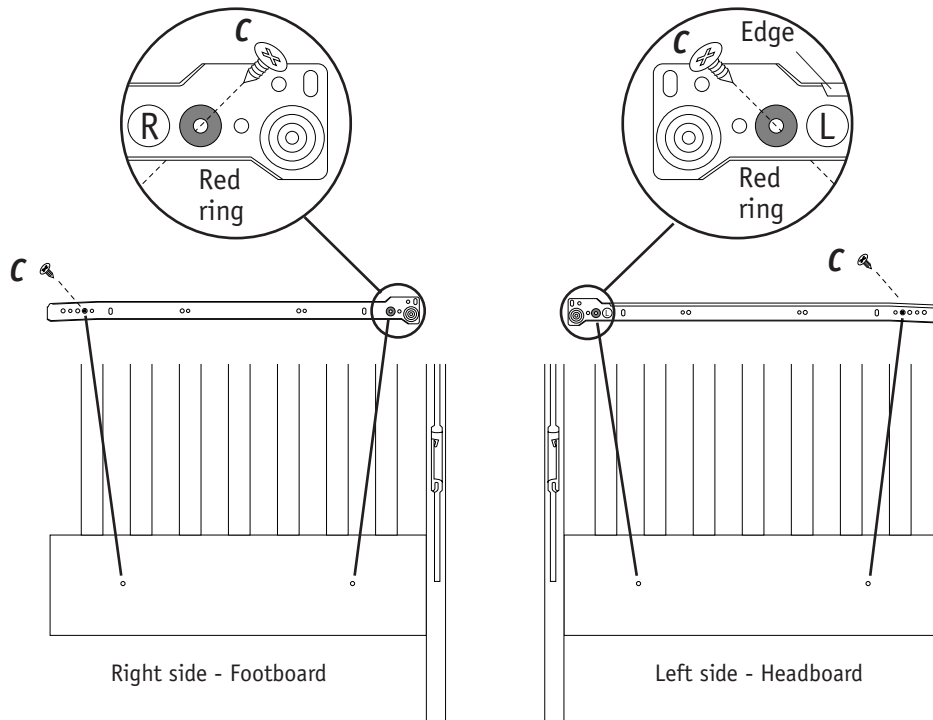
<p>Crib and drawer parts list</p> <ul style="list-style-type: none"> <li>1 front dropside (M)</li> <li>1 big side (N)</li> <li>2 ends (P)</li> <li>1 rail (Q)</li> <li>1 mattress support frame (R)</li> <li>1 drawer front (S)</li> <li>1 drawer center partition (T)</li> <li>2 drawer ends (U)</li> <li>2 drawer bottoms (V)</li> <li>1 drawer back (W)</li> </ul>
---

**INSTRUCTION LEAFLET**  
 Important, keep for future reference.  
 Read carefully

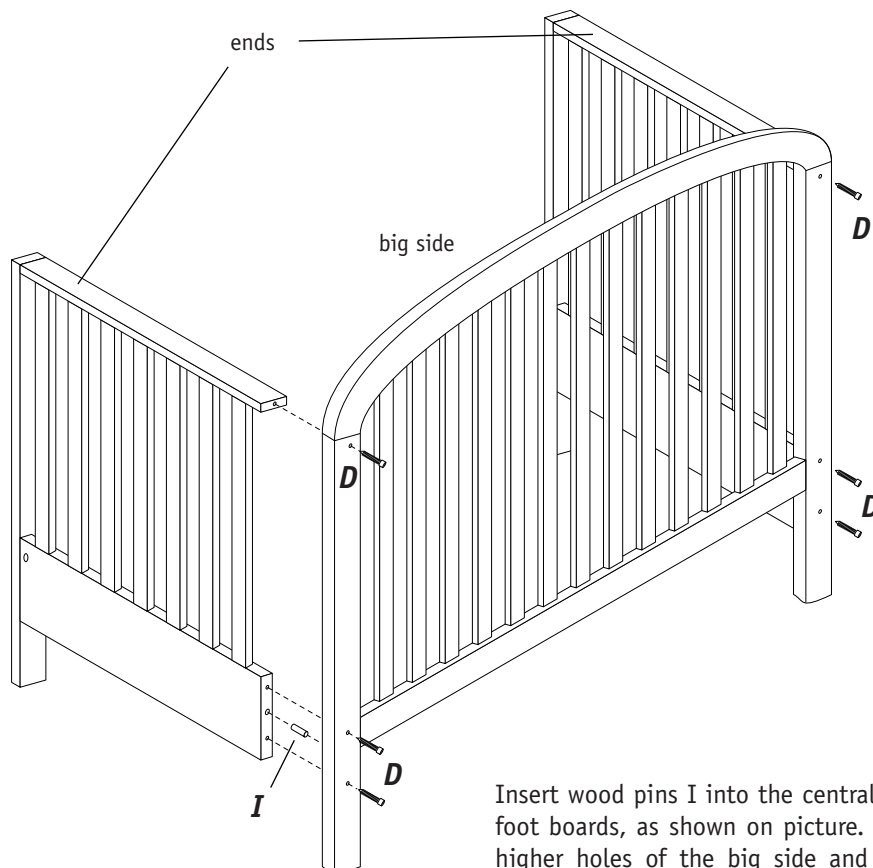
**IMPORTANT:** In order to properly assemble the cot, carry out the operations in the order specified. Failure to assemble the crib in the manner recommended could make the crib hazardous.  
 Carefully remove and lay out all parts. Familiarize yourself with all diagrams to facilitate the assembly of your crib. Check parts enclosed in hardware bag with the **HARDWARE PARTS LIST** to be sure all are included and quantities are correct.

**1**

When installing tracks to head & foot boards track stamped "R" must be placed on right side, track stamped "L" must be placed on left side. Make sure the small wheel located on the track is closest to the front of the crib. Be very careful to the correct positioning: the track must ALWAYS be positioned with the small wheel towards the drawer front and downwards. Fix the tracks using the 4 screws C.

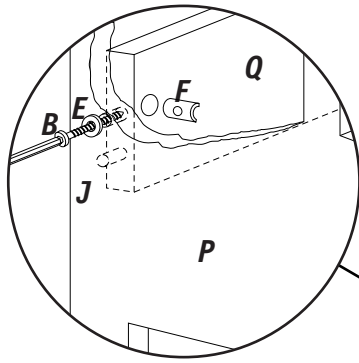
**2**

### Big side attachment to ends

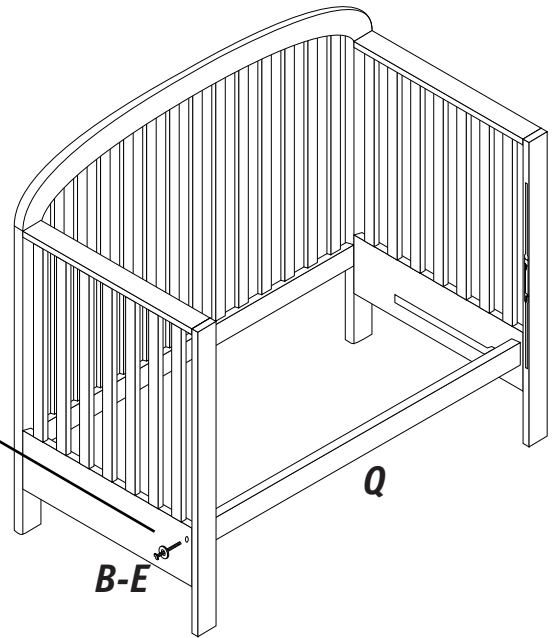


Insert wood pins I into the central hole of the low side of head & foot boards, as shown on picture. Insert medium bolts D into the higher holes of the big side and into the lower ones. Make all these holes coincide with the corresponding holes of the ends; insert all the wood screws and tighten them using allen wrench.

# 3



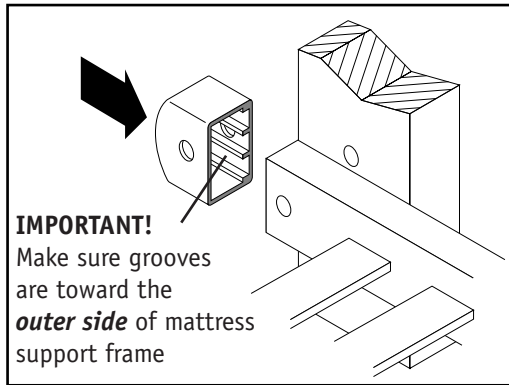
Frame rail assembly diagram



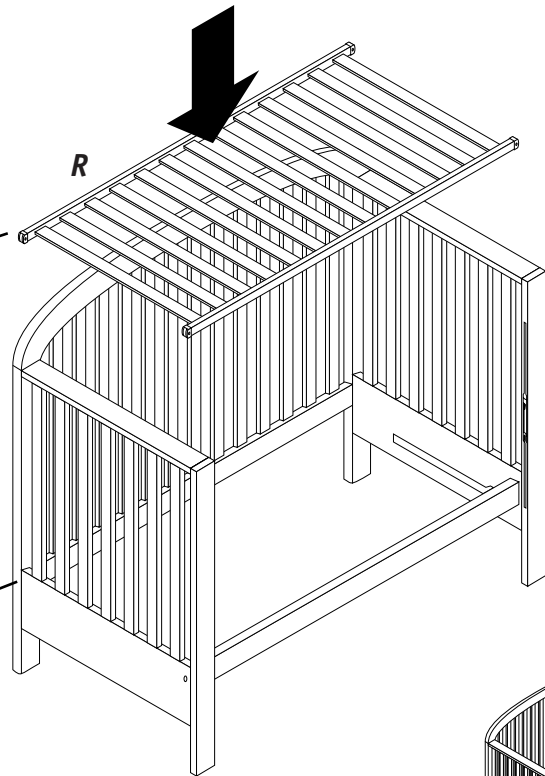
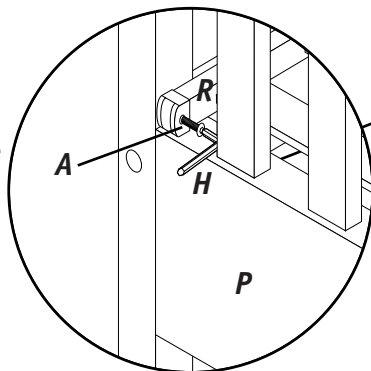
Apply the rail Q between the two ends. Place curved fastener plates F into large holes of the rail; then insert long allenhead bolts B with washers E into the holes of the ends. Insert bolts into the fastener plates and tighten them by allen wrench.

# 4a

## Mattress support frame



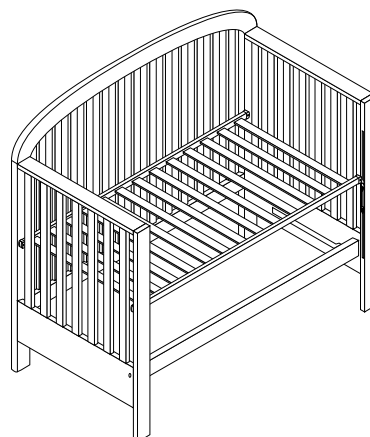
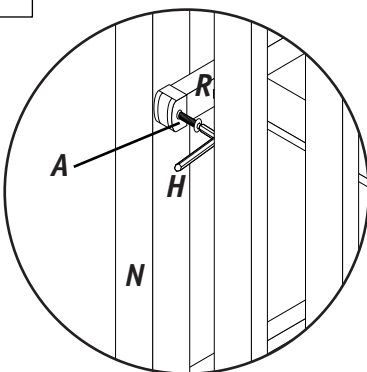
Mattress support frame assembly diagram



Mattress support frame lower position

# 4b

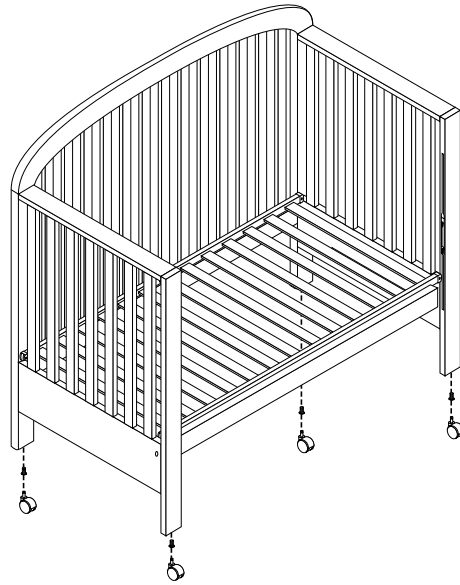
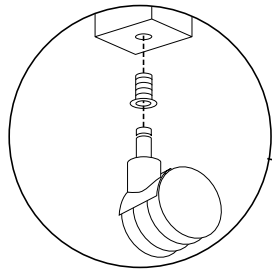
## Mattress support frame higher position



# 5

## Casters

(Lily crib DOES NOT ACCEPT the casters)

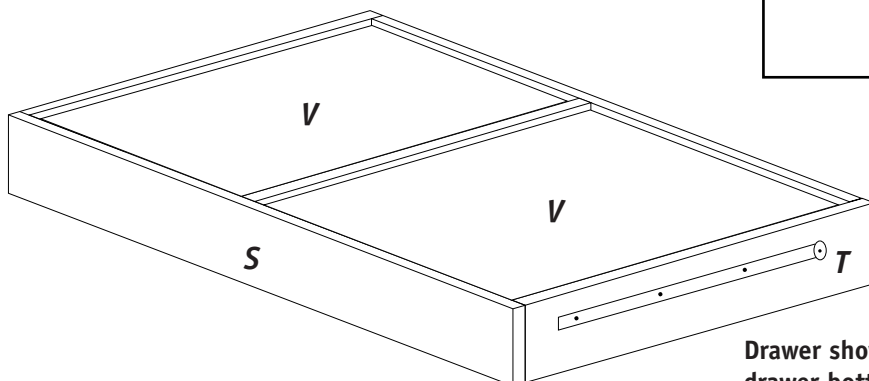
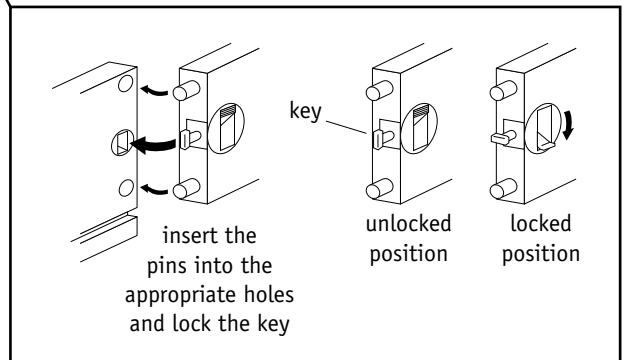
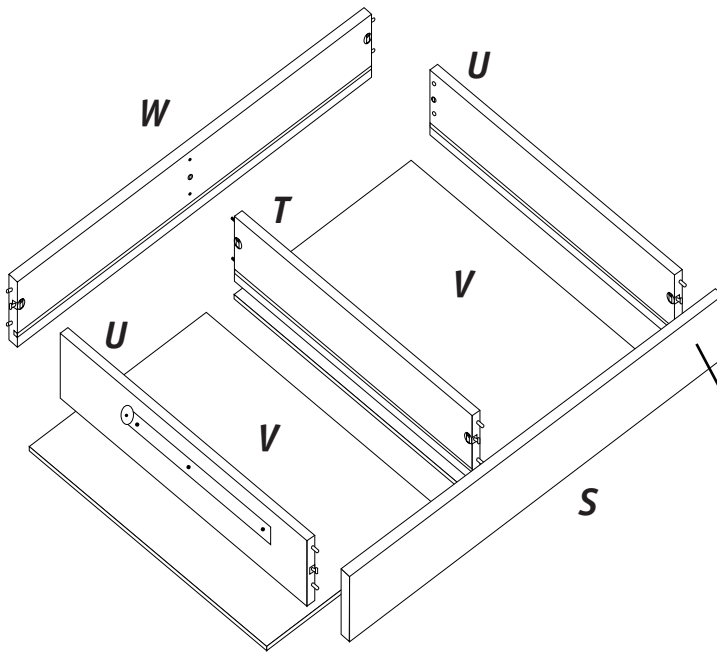


# 6

## Drawer assembly

When assembling drawers with roller glides, assemble the sides of the drawer so the small wheels are toward the back of the drawer. The wheels drop into the openings in the rail mounted at the inside of the headboard and footboard.

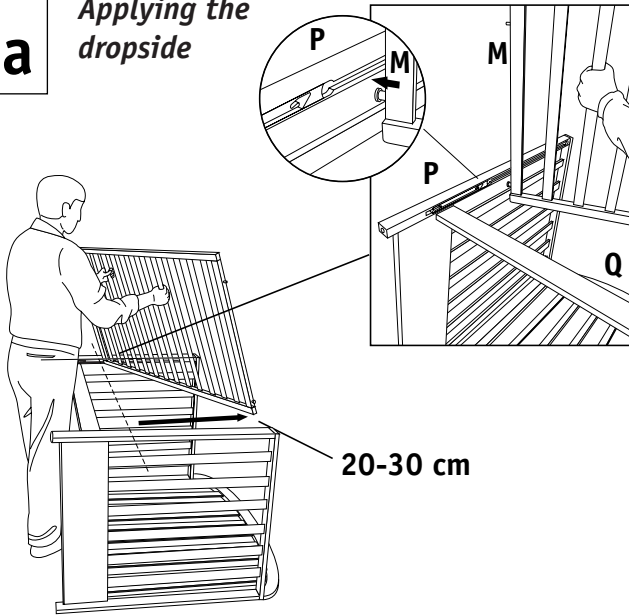
Attach the drawer ends and the center partition to the drawer back; slide the bottom panels, making them run in the grooves, and when the insertion is complete, attach the front panel and tighten the fastenings.



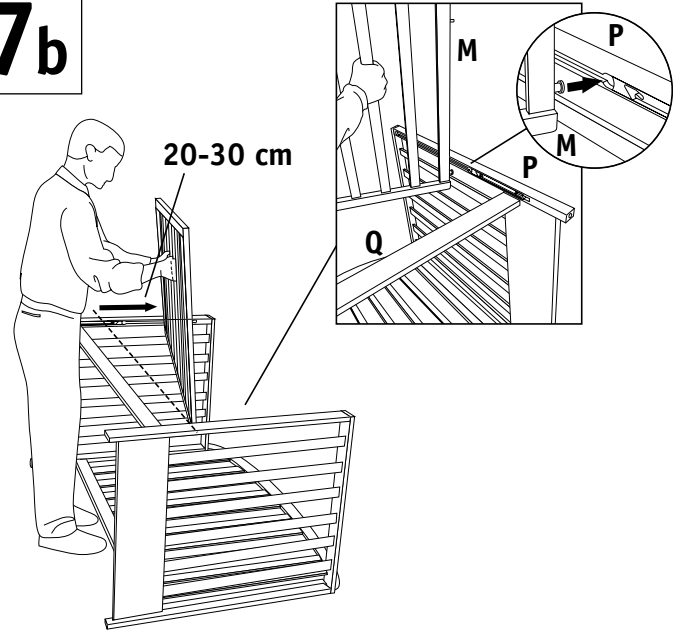
Drawer shown with drawer bottom placed upward

# 7a

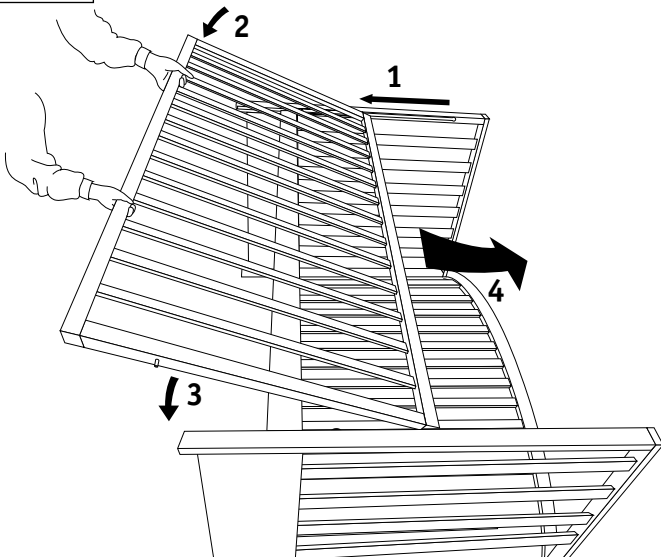
*Applying the  
dropside*



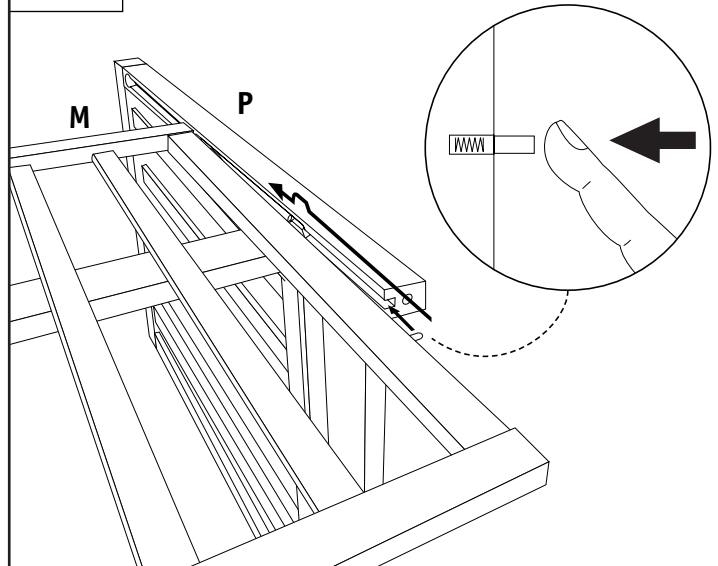
# 7b



# 7c

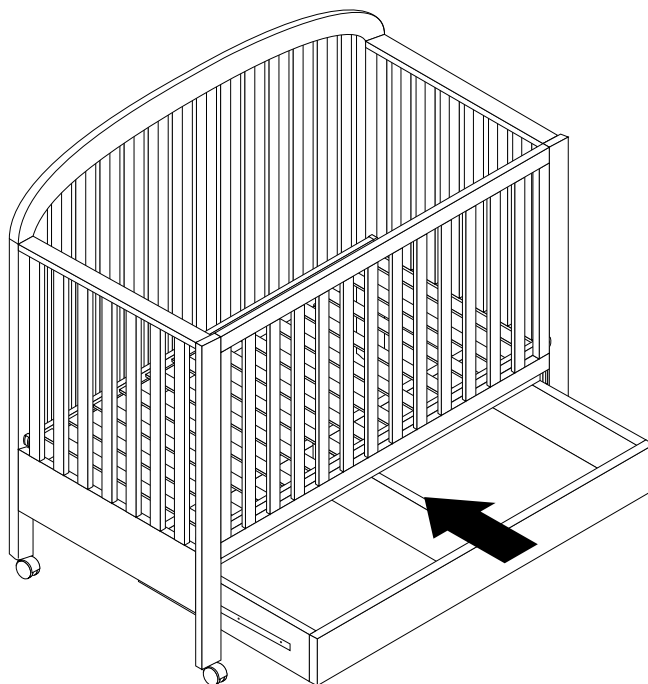


# 7d



# 8

*Inserting the drawer*



# **!WARNING!**

**FAILURE TO FOLLOW THESE WARNINGS AND ASSEMBLY INSTRUCTIONS COULD RESULT IN SERIOUS INJURY OR DEATH.**

**KEEP THESE INSTRUCTIONS FOR FUTURE USE.**

**BEFORE** each assembly inspect crib for damaged hardware, loose joints, missing parts or sharp edges. Upon completion of assembly be sure all screws, bolts and fastening devices have been tightened securely. A frequent check should be made during the use of the crib to make sure all parts remain tight and secure.

**DO NOT** use any crib if any parts are missing or broken.

**DO NOT** substitute parts!

**DO NOT** place crib near window where cords from blinds or drapes may strangle a child.

**DO NOT** use a waterbed mattress.

**DO NOT** leave child in crib with the side lowered. Be sure side is in raised and locked position whenever child is in crib.

**DO NOT** tie pacifiers, necklaces or any other items around a child's neck or on crib parts. **THIS COULD CAUSE STRANGULATION!**

**WHEN CHILD IS ABLE TO PULL INTO A STANDING POSITION** lower the mattress to the lowest position. Remove all bumper pads, large toys and other objects that could serve as steps for climbing out. When child is able to climb out or reaches the height of 35 inches, the crib must no longer be used. The child should then be transferred to a youth or regular bed.

If refinishing the crib, use only a non-toxic finish specified for children's products.

Never use plastic shopping bags or other plastic film as a mattress protector because they can cause suffocation.

**ANY MATTRESS USED IN THIS CRIB  
MUST BE AT LEAST 27 <sup>1</sup>/<sub>4</sub>" , BY 51 <sup>5</sup>/<sub>8</sub>"  
WITH A THICKNESS NOT EXCEEDING 6".**

(The dimensions shall be taken seam-to-seam or edge-to-edge where appropriate.)

This crib conforms to the applicable regulations of the Consumer Product Safety Commission.