



**Pali Design, Inc.**

1525 Hymus Boul.  
 Dorval, QC  
 H9P-1J5 Canada  
 Phone: 1-514-421-0309

customerservice@pali-design.com

www.pali-design.com

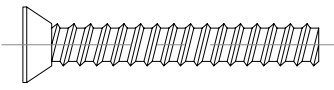
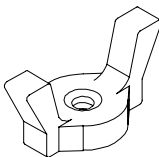

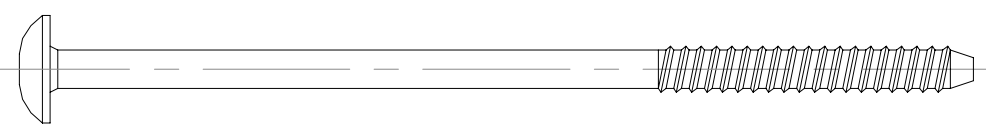
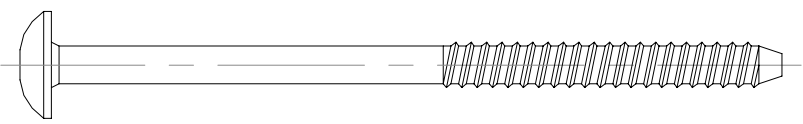
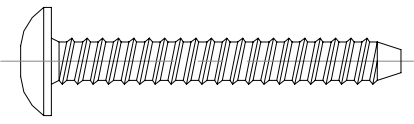

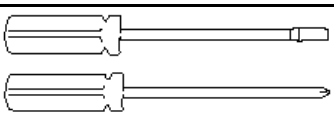
# Assembly Instruction

## Tuscan Forever Crib



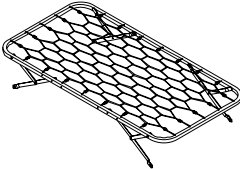
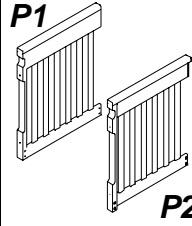
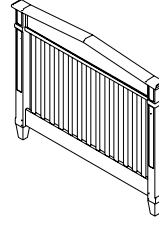
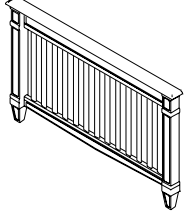
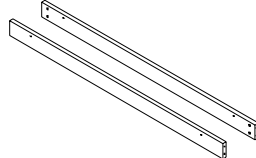
This crib has been designed for your child's comfort and your convenience. Quality material and workmanship have gone into this crib which will provide a sound and comfortable bed for your baby if properly assembled and maintained. For the security of your child and your own peace of mind be sure to follow the assembly instructions exactly. Adult assembly is required. A periodic check should be made of all bolts and screws, which should be tightened if needed. Moisture and heat are harmful to the finish; for this reason use extreme caution when vaporizer is in use. The vapor steam should always be aimed away from the crib as well as away from other wood furniture. Some types of soft plastic toys could damage the finish when placed against it.

### Hardware Parts List

<b>A</b> Phillips Head Screw  8x	<b>B</b> Wing Nut  8x	<b>C</b> KD Nut  12x
<b>D</b> Allenhead Bolt  8x		<p style="text-align: center;"><b>Adult assembly is required.</b></p>
<b>E</b> Allenhead Bolt  6x		
<b>F</b> Allenhead Bolt  4x	<b>G</b> Allen Wrench  1x	<p style="text-align: center;"><b>INSTRUCTION LEAFLET</b></p> <p style="text-align: center;"><i>Important, keep for future reference. Read carefully.</i></p> <p style="text-align: center;"><b>Tools Needed for Assembly:</b></p> 

**IMPORTANT:** In order to properly assemble the crib, carry out the operations in the order specified. Failure to assemble the crib in the manner recommended could make the crib hazardous. Carefully remove and lay out all parts. Familiarize yourself with all diagrams to facilitate the assembly of your crib. Check parts enclosed in hardware bag with the **HARDWARE PARTS LIST** to be sure all are included and quantities are correct.

## Crib Parts List:

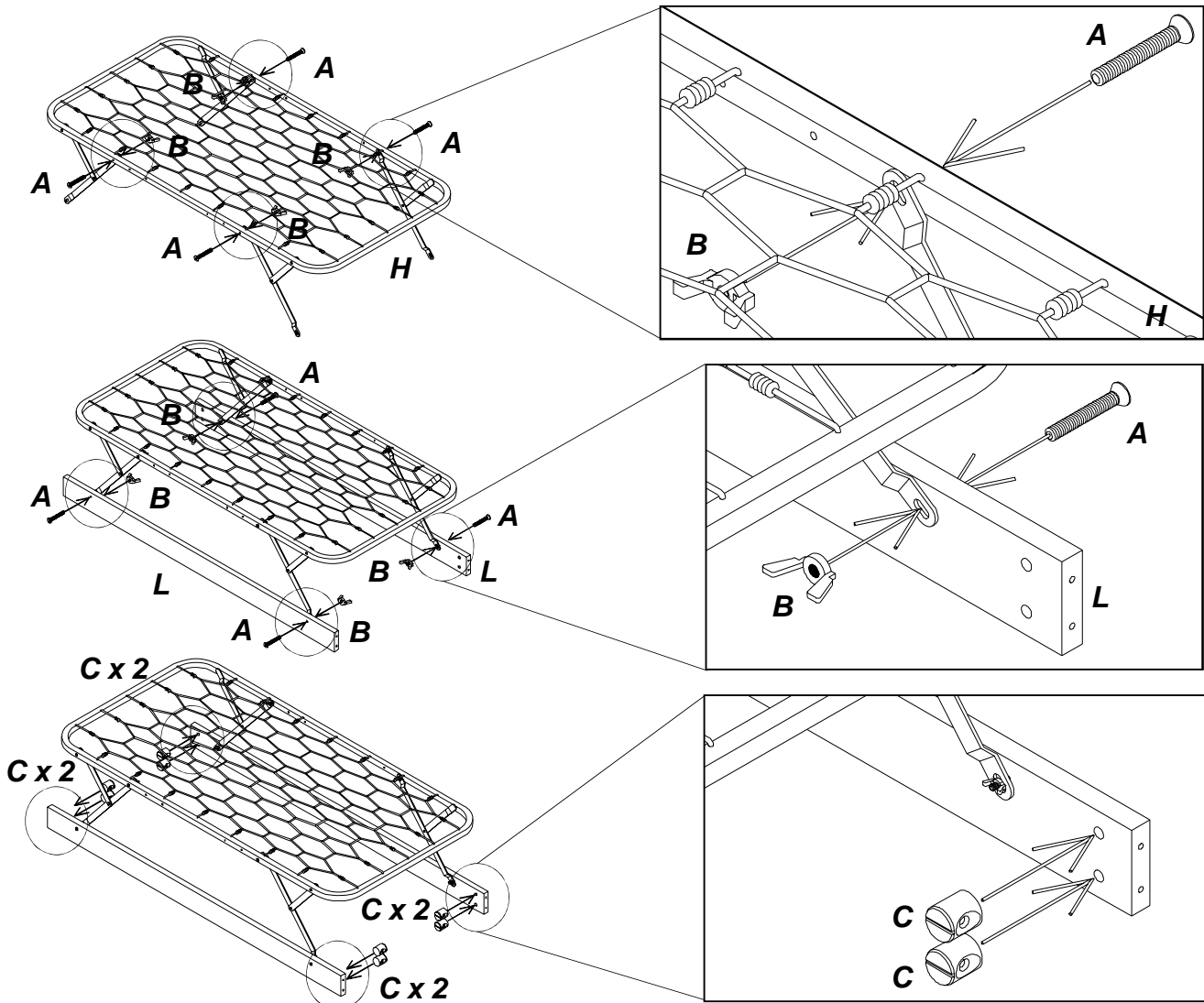
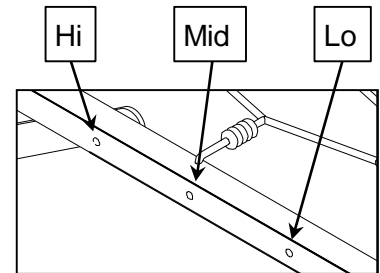
 <p><b>1x</b> Mattress Support (H)</p>	 <p><b>2x</b> End Panels (P1 + P2)</p>	 <p><b>1x</b> Headboard (J)</p>
 <p><b>1x</b> Footboard (K)</p>	 <p><b>2x</b> Stabilizer Bars (L)</p>	

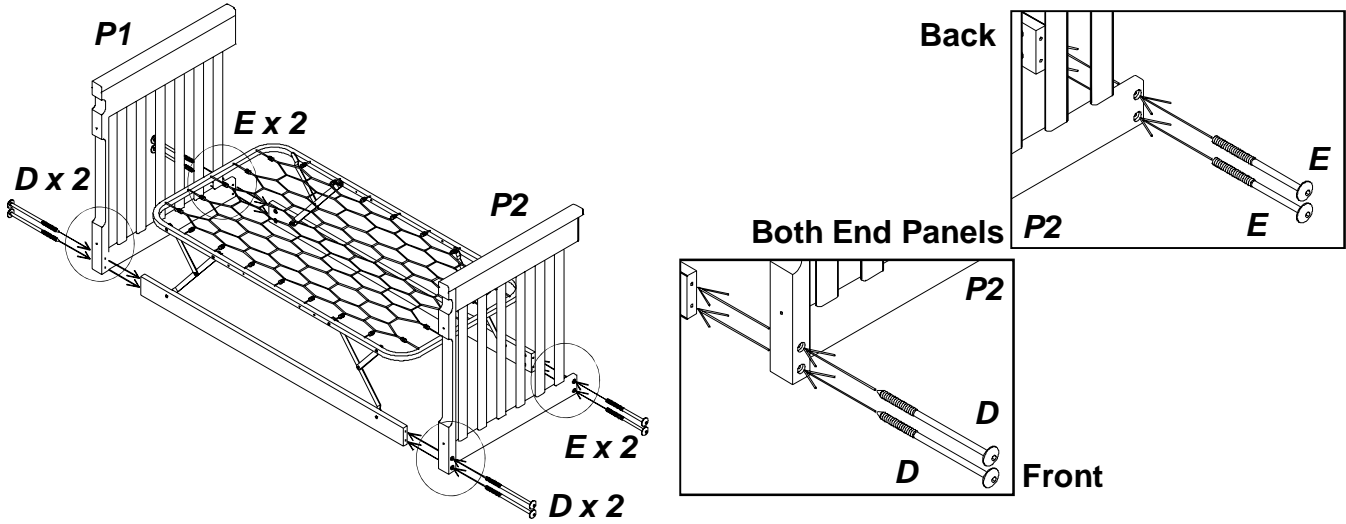
**CRIB**

Step  
**1**

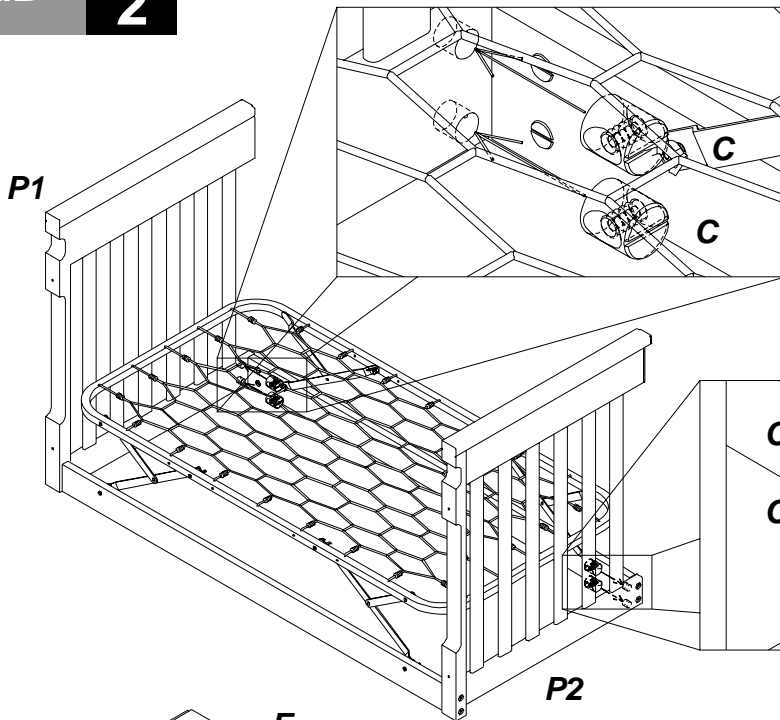
## Assembling Crib

- This crib has three mattress support positions for use in your baby's first months.
- As soon as baby starts to sit up you must use the lowest mattress support position.
- To assemble the crib with the high mattress support position see Step 1.
- When using the crib as a toddler bed, remove the Footboard (K) and the lower mattress support position must be used.



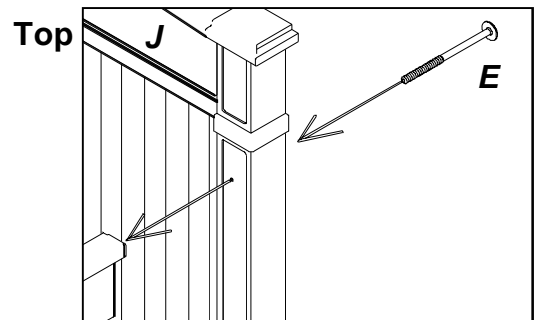
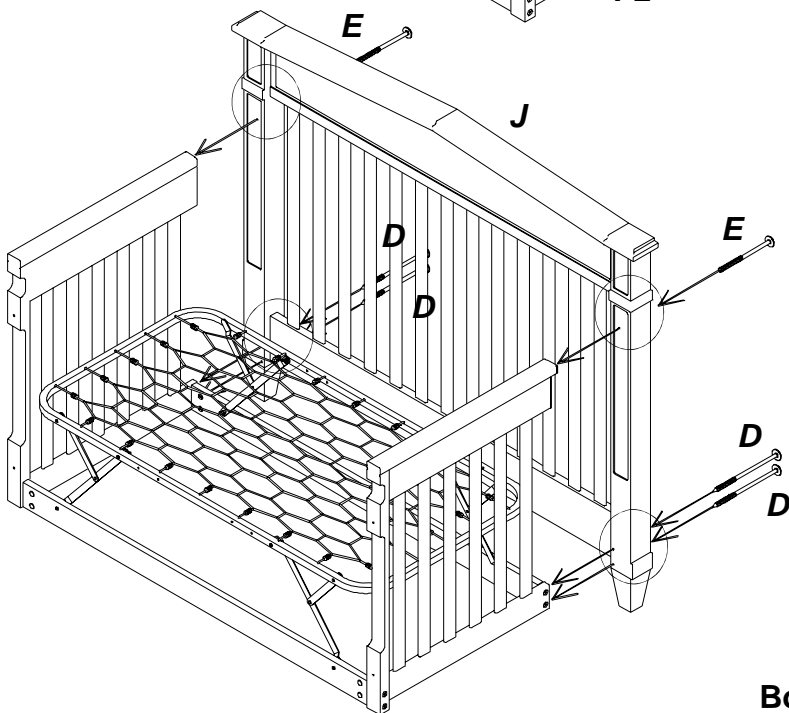


**CRIB** **Step 2**

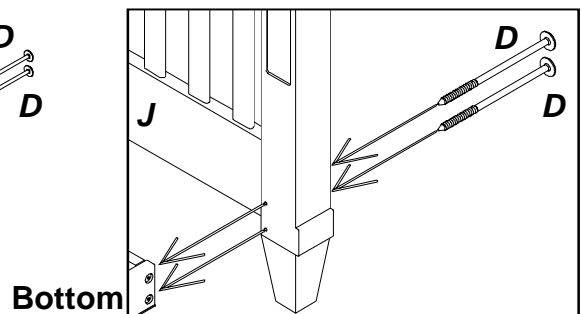


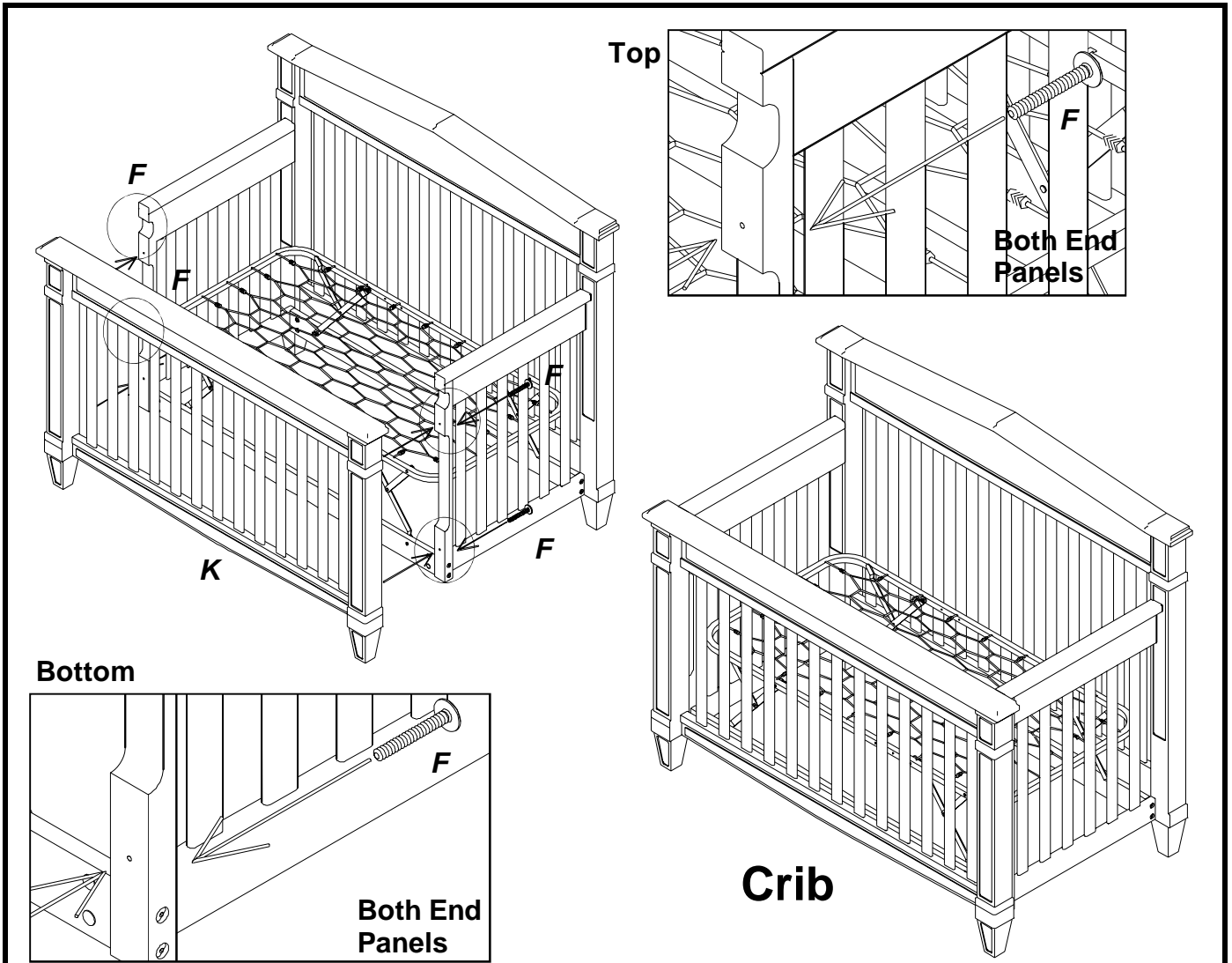
**KD Nuts (C) inserted into back inside face of End Panel (P1) bottom rail**

**KD Nuts (C) inserted into back inside face of End Panel (P2) bottom rail**



**Both End Panels**





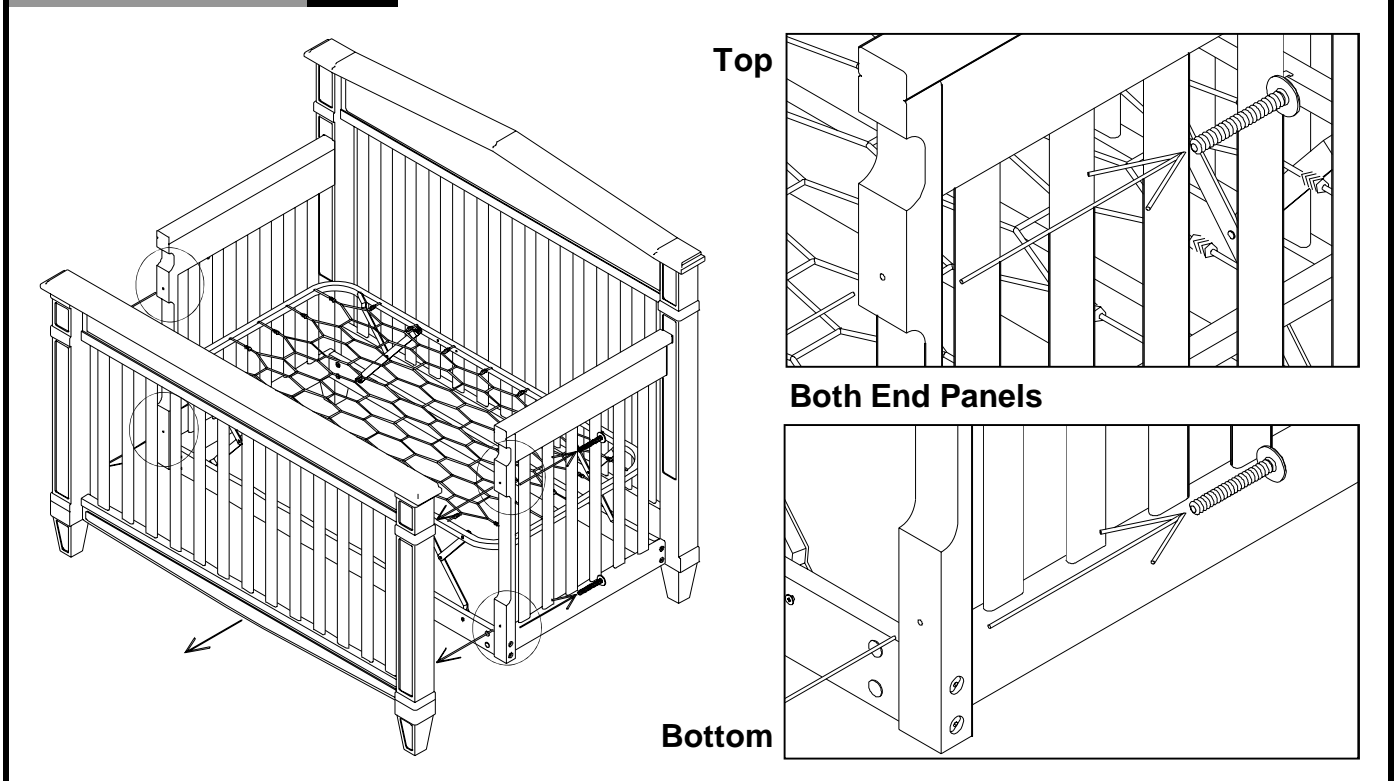
**Child's Day +  
Toddler Bed**

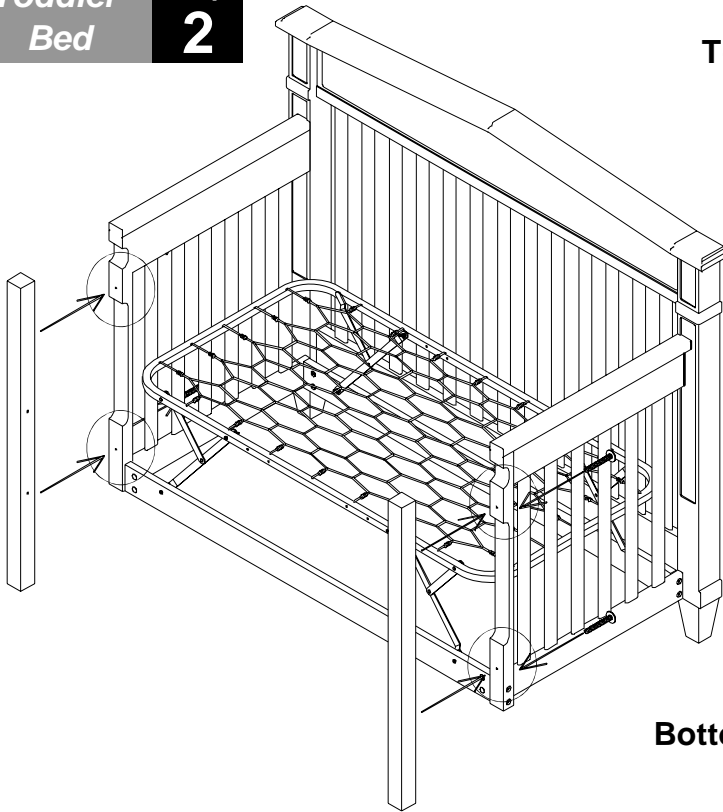
**Step**

**1**

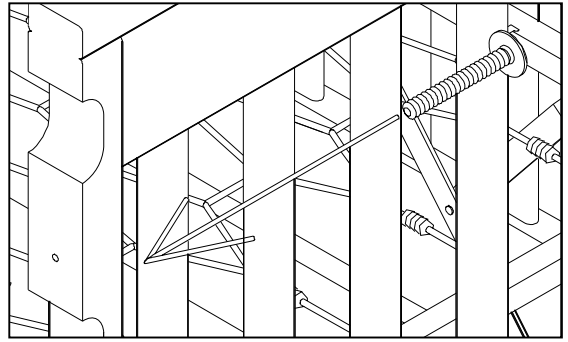
**Transforming Crib into a Child's Day Bed or a Toddler Bed  
(515 Toddler Rail Kit *sold separately*)**

**Note:** Additional hardware can be found in the Toddler Rail Kit.

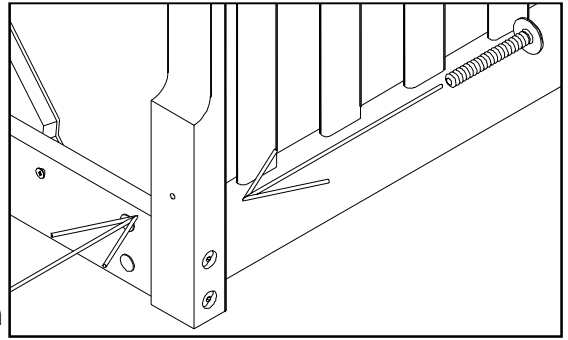




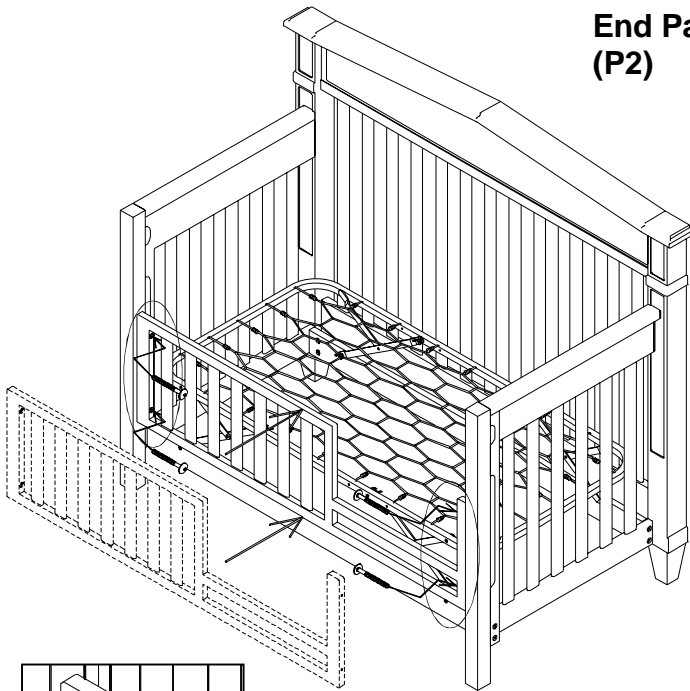
Top



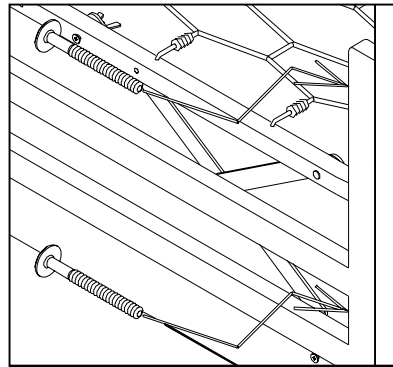
Both End Panels



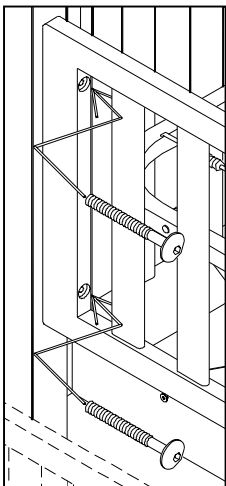
Bottom



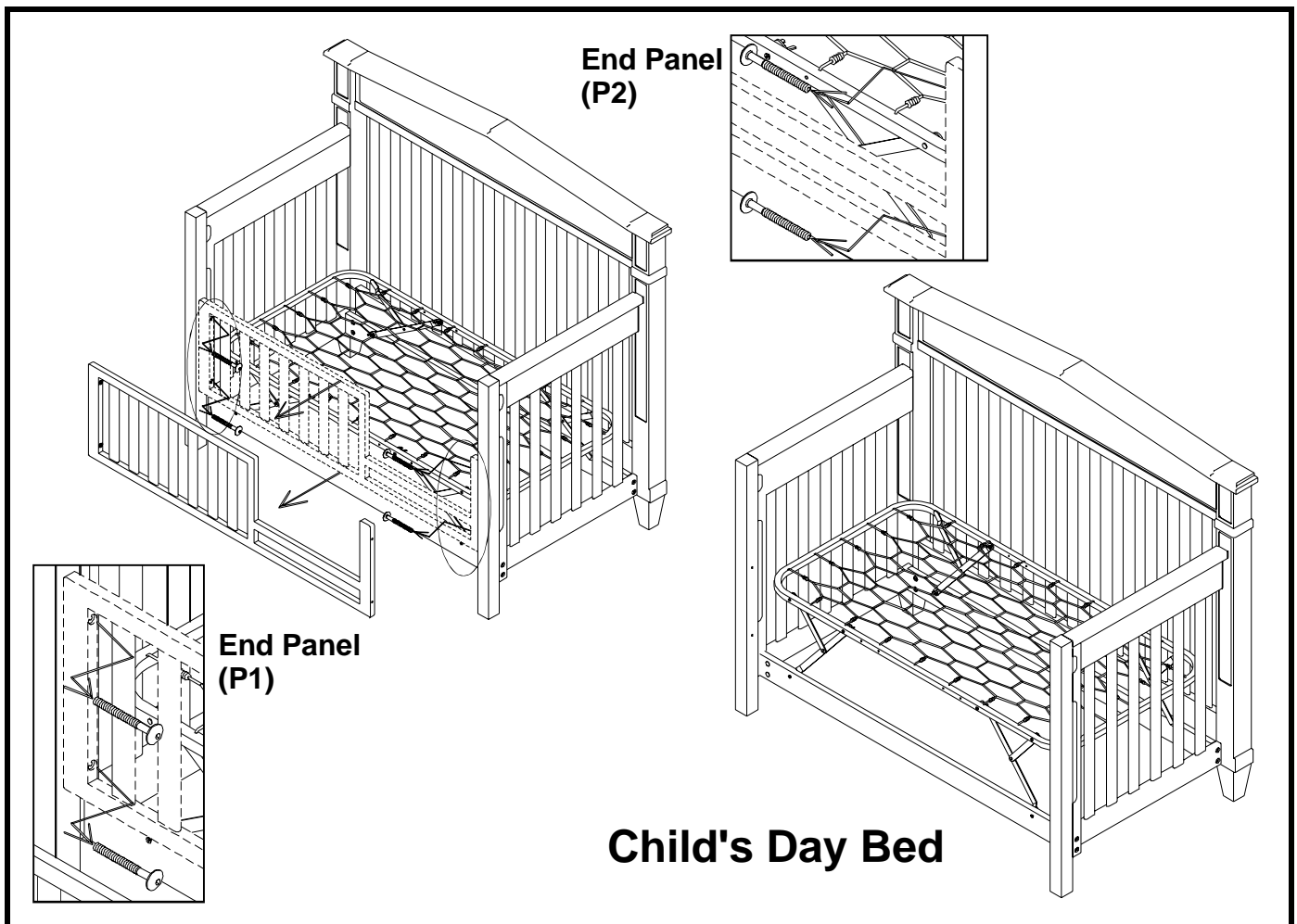
End Panel (P2)



End Panel (P1)



Toddler Bed



## WARNING STATEMENTS

- Read all instructions before assembling crib. **Keep instructions for future use.**
- Failure to follow these warnings and the assembly instructions could result in serious injury or death.
- Never use plastic shipping bags or other plastic film as mattress covers because they can cause suffocation.
- Infants can suffocate in gaps between crib sides and a mattress that is too small.
- Infants can suffocate on soft bedding. Never add a pillow, comforter or padding.
- To reduce the risk of SIDS, pediatricians recommend healthy infants to be placed on their backs to sleep, unless otherwise advised by your physician.
- Strings can cause strangulation! Do not place items with a string around a child's neck, such as hood strings or pacifier cords. Do not suspend strings over a crib or attach strings to toys.
- To help prevent strangulation tighten all fasteners. A child can trap parts of the body or clothing on loose fasteners.
- **DO NOT** place crib near window where cords from blinds or drapes may strangle a child.

- When child is able to pull to a standing position, set mattress to lowest position and remove bumper pads, large toys and other objects that could serve as steps for climbing out.
- When child is able to climb out or reaches the height of 35 in. (90 cm), the crib shall no longer be used.
- Check this product for damaged hardware, loose joints, missing parts or sharp edges before and after assembly and frequently during use. DO NOT use crib if any parts are missing, damaged or broken. Contact Pali for replacement parts and instructional literature if needed. DO NOT substitute parts.
- DO NOT use a water mattress.
- If refinishing, use a non-toxic finish specified for children's products.
- CAUTION: ANY MATTRESS USED IN THIS CRIB MUST BE AT LEAST 27 1/4 IN. (69 CM) BY 51 5/8 IN. (131 CM) WITH A THICKNESS NOT EXCEEDING 6 IN. (15 CM)



## TODDLER BED WARNING STATEMENTS

- Failure to follow these warnings and assembly instructions could result in serious injury or death from entrapment or strangulation.
- DO NOT place bed near window where cords from blinds or drapes may strangle a child.
- The mattress intended for use on the bed shall be a full-size crib mattress having minimum dimensions of 51 5/8 in. (1310mm) in length, 27 1/4 in. (690mm) in width and 4 in. (100mm) in thickness.
- Strings can cause strangulation! Do not place items with a string, cord or ribbon around a child's neck, such as hood strings or pacifier cords. Do not suspend strings over a toddler bed for any reason or attach strings to toys.
- The minimum age of the intended user shall not be less than 15 months and the maximum weight shall not be greater than 50 lbs. (22.7kg).
- The guardrail provided must be used to avoid the formation of a gap between the mattress and the bed that could cause an entrapment.



## CARE AND MAINTENANCE

- When cleaning your crib, please use a non-toxic, non-abrasive cleaner. Mix a solution of water with a small amount of mild dishwashing liquid. Apply to crib surface with a soft, damp cloth lightly dampened in solution. After cleaning, dry completely with a soft, dry cloth.
- When storing crib use caution as extreme changes in temperature or humidity can compromise the crib making it extremely dangerous to your child.