



Pali Design, Inc.

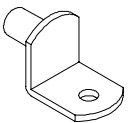
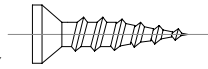
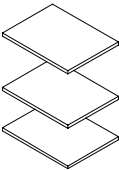
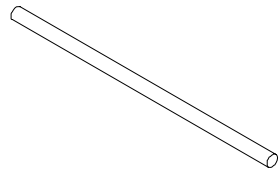
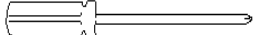
1525 Hymus Boul.
Dorval, QC
H9P-1J5 Canada
Phone: 1-514-421-0309

customerservice@pali-design.com

www.pali-design.com

Assembly Instruction

Novara Armoire

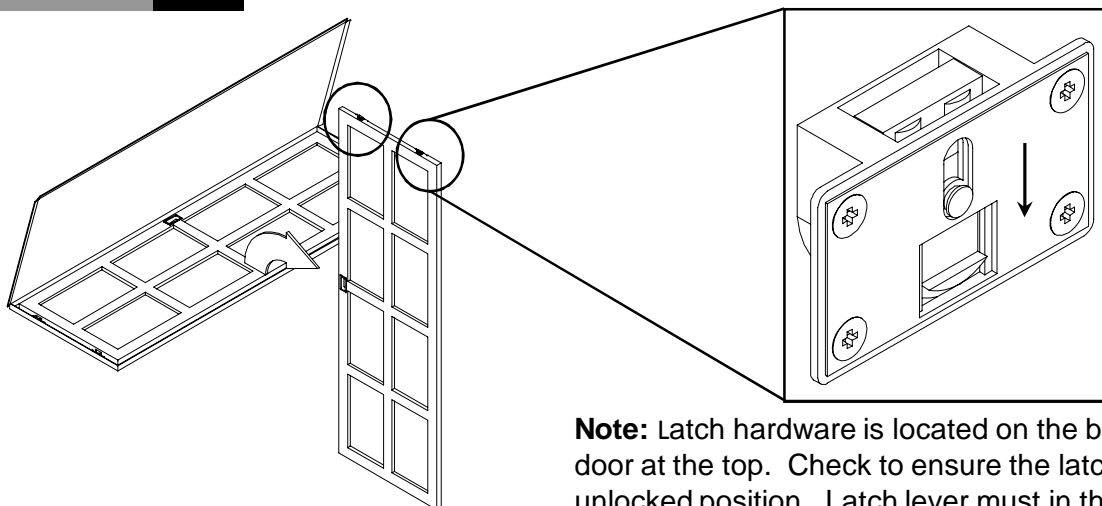
Hardware Parts List		Armoire Parts List		
A Shelf Pin  12x	B Wood Screw  12x		3x Shelf (C)	 1x Hanging Rod (D)
Tools Needed for Assembly: 		INSTRUCTION LEAFLET <i>Important, keep for future reference. Read carefully.</i>		
		Adult assembly is required.		

Attach Door to Armoire

Armoire

Step
1

Ensure door latch hardware is unlocked

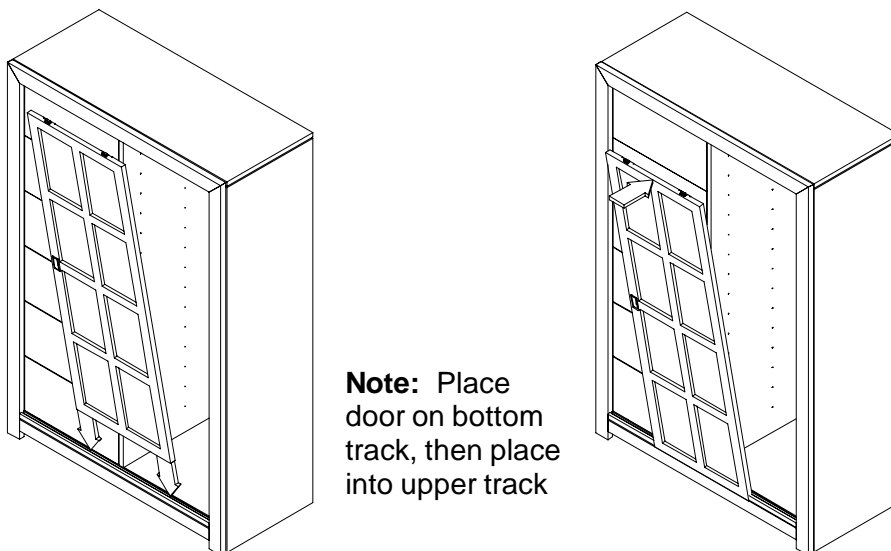


Note: Latch hardware is located on the back side of the door at the top. Check to ensure the latch is in the unlocked position. Latch lever must be in the down position.

Armoire

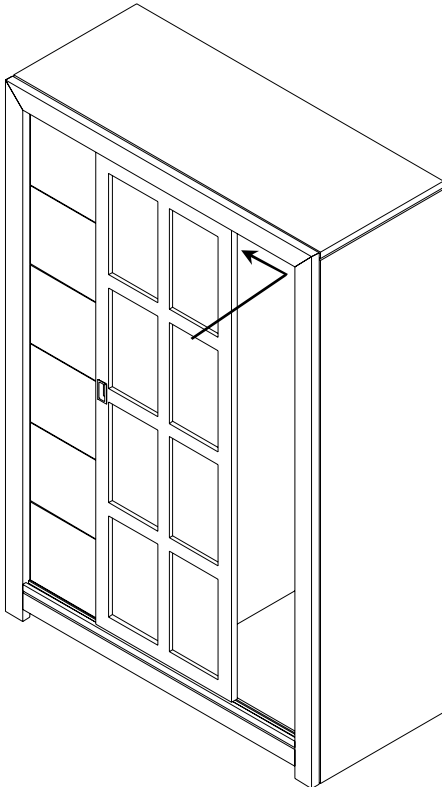
Step
2

Attach Door

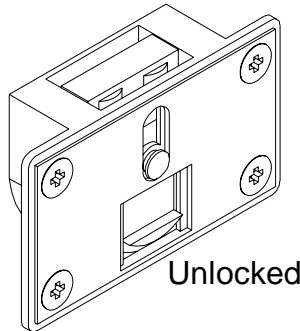


Note: Place door on bottom track, then place into upper track

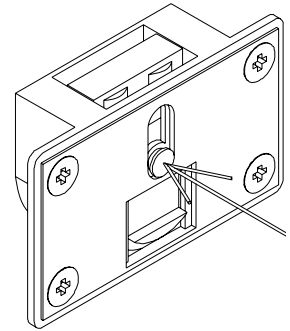
Engage latch to lock door into track



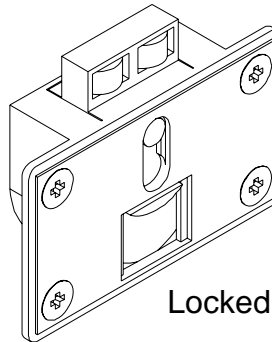
To lock the door, please follow these steps.



Unlocked

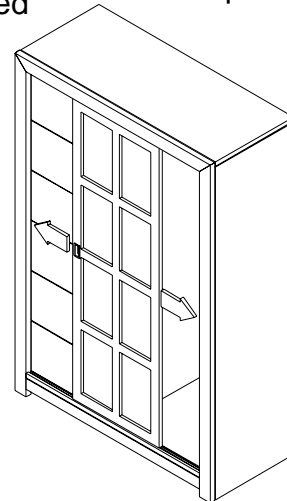


Press the button to engage the lock. The latch mechanism will pop up to lock the door into place.

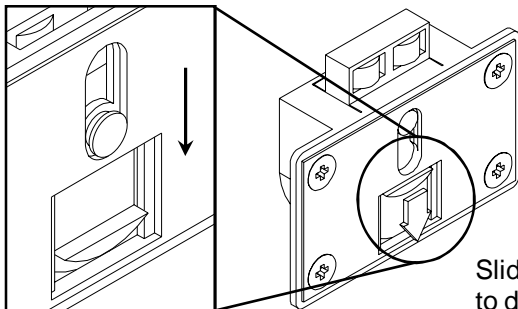


Locked

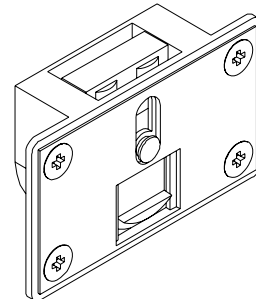
Lock the door into place by reaching behind the door to press the lock button on each latch mechanism.



In order to remove the door, disengage the latch mechanisms on the back of the door by sliding the lever down on both latches. The door is now unlocked and can be removed from the tracks.



Slide lever down to disengage.

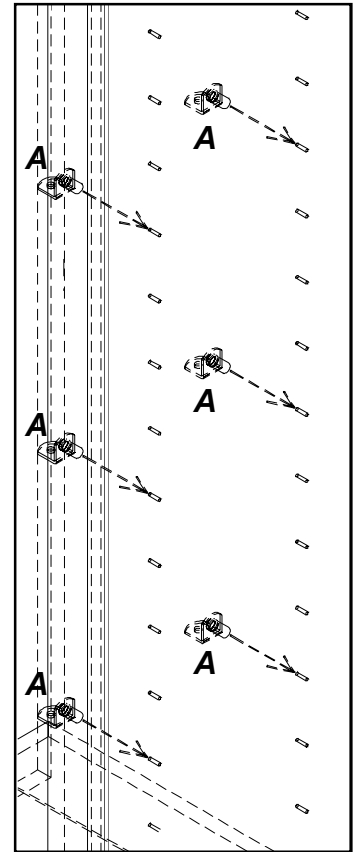
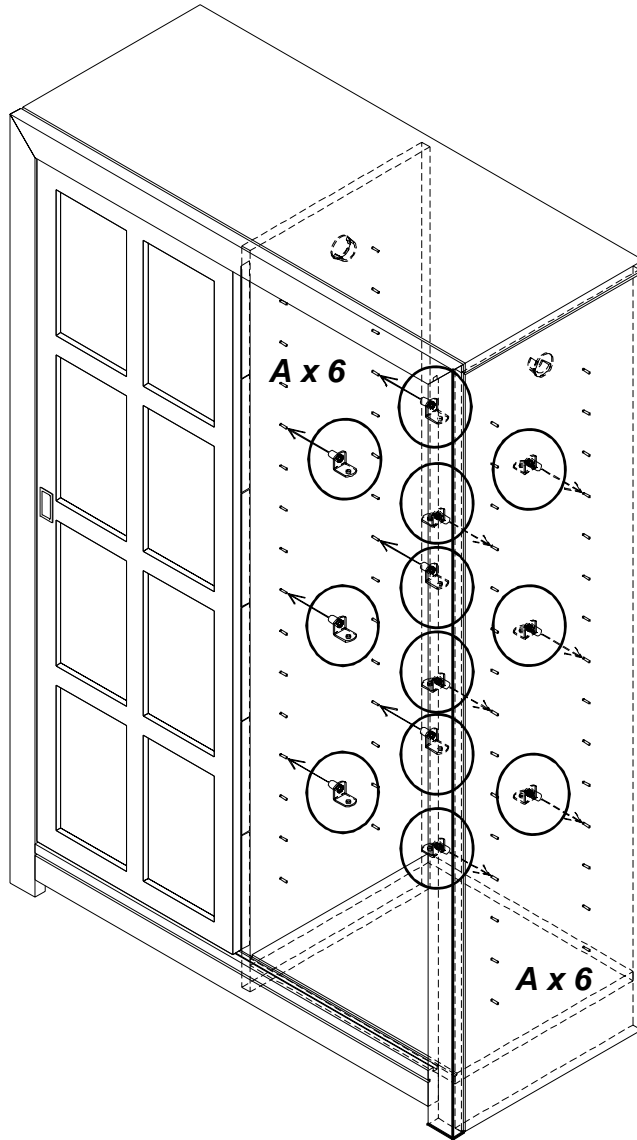
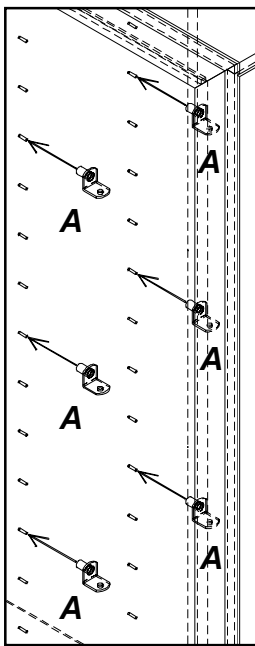
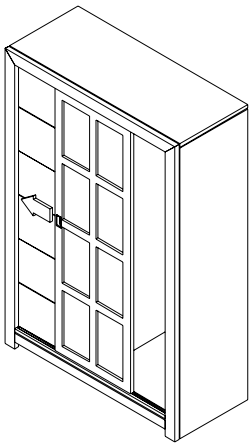


Setting Shelves Inside Armoire

Armoire

Step
1

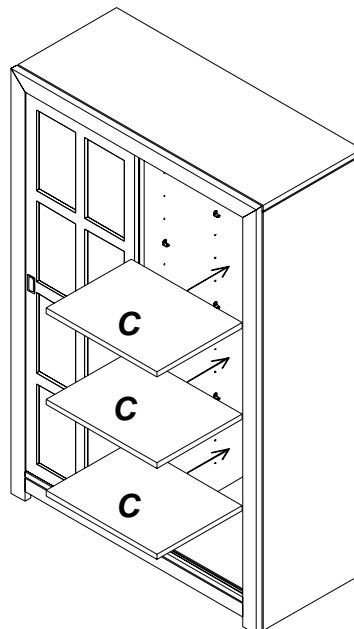
Insert shelf pins to the desired shelf position



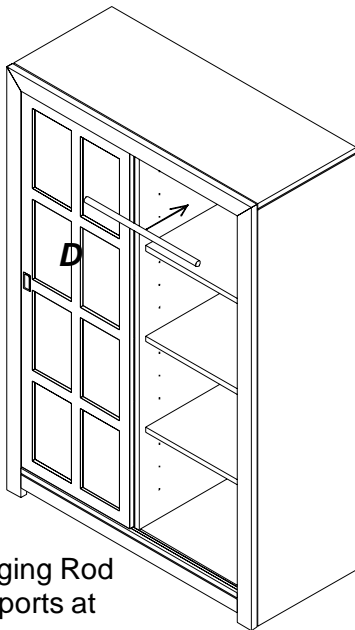
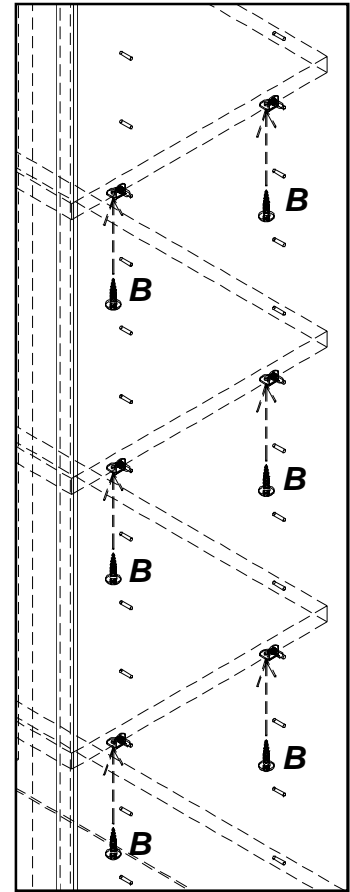
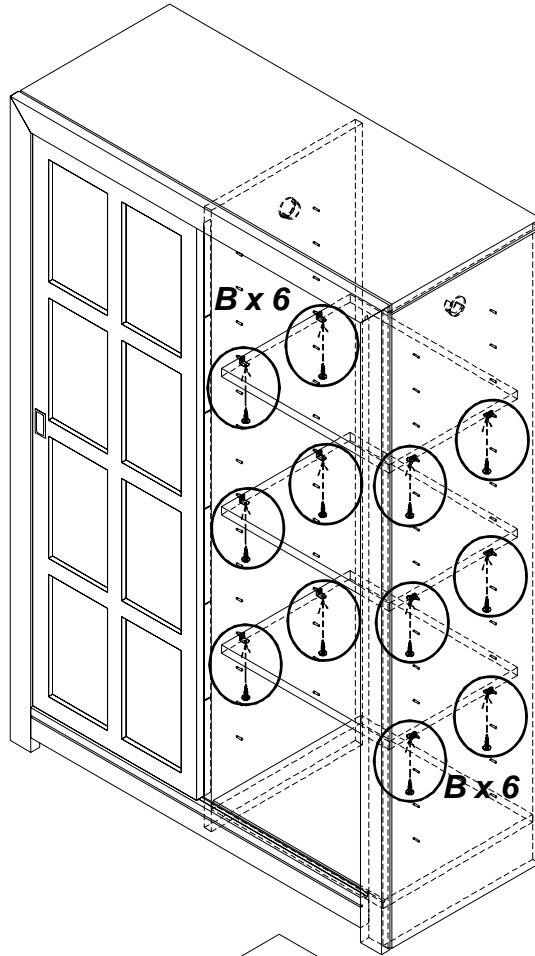
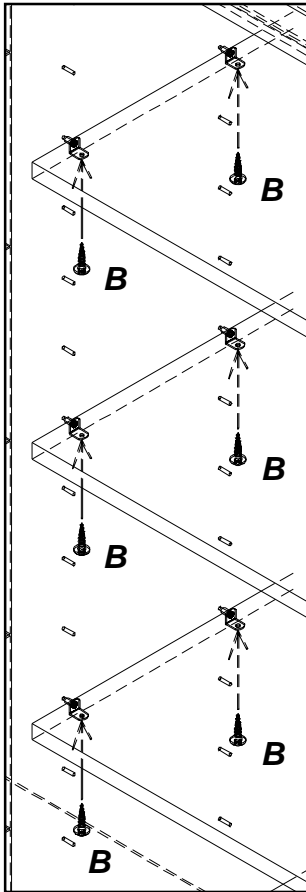
Armoire

Step
2

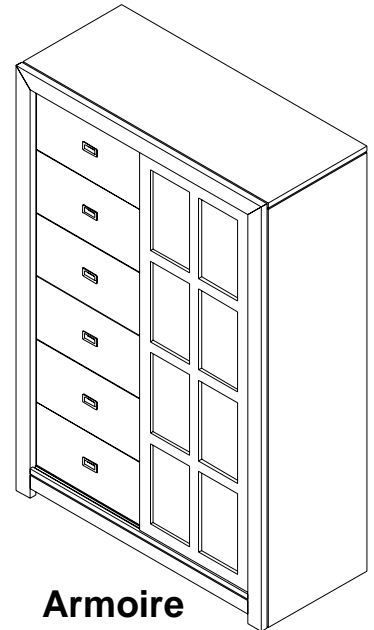
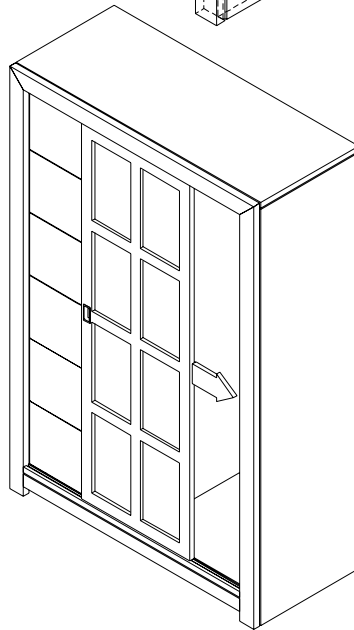
Place shelves on shelf pins



Attach screws to secure the shelves on shelf pins



Place Hanging Rod (D) on supports at top inside



CARE AND MAINTENANCE

When cleaning your furniture, please use a non-toxic, non-abrasive cleaner. Mix a solution of water with a small amount of mild dishwashing liquid. Apply to furniture surface with a soft, damp cloth lightly dampened in solution. After cleaning, dry completely with a soft, dry cloth.