



Pali Design, Inc.

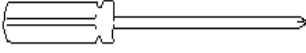
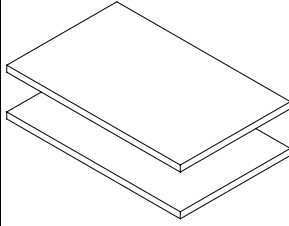
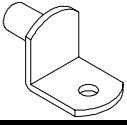

1525 Hymus Boul.
Dorval, QC
H9P-1J5 Canada
Phone: 1-514-421-0309

customerservice@pali-design.com

www.pali-design.com

Assembly Instruction

Novara Double Dresser

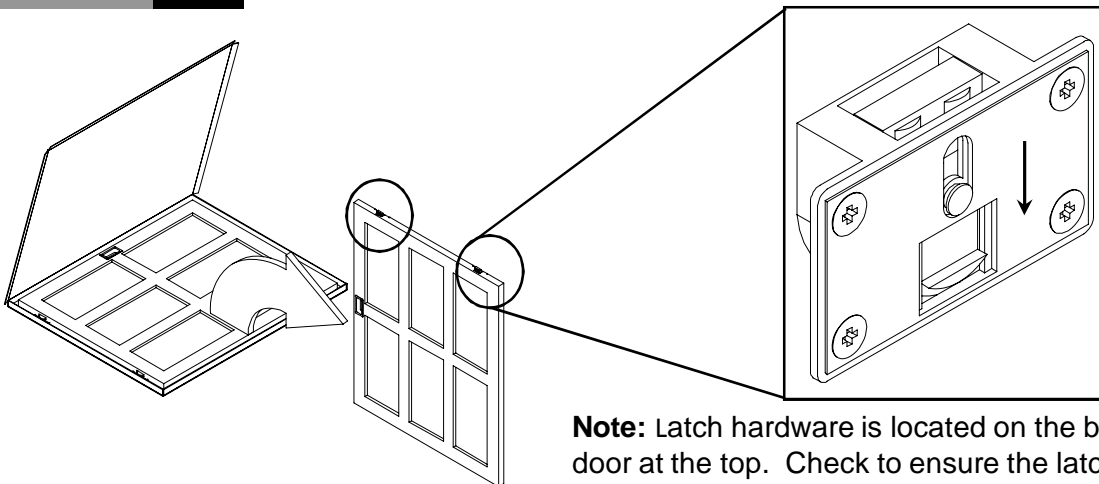
Hardware Parts List		Tools Needed for Assembly:	Double Dresser Parts List	
A Shelf Pin	B Wood Screw			
8x 	8x 	Adult assembly is required.		Shelf (C)
INSTRUCTION LEAFLET	<i>Important, keep for future reference. Read carefully.</i>			

Attach Door to Double Dresser

Double Dresser

Step 1

Ensure door latch hardware is unlocked

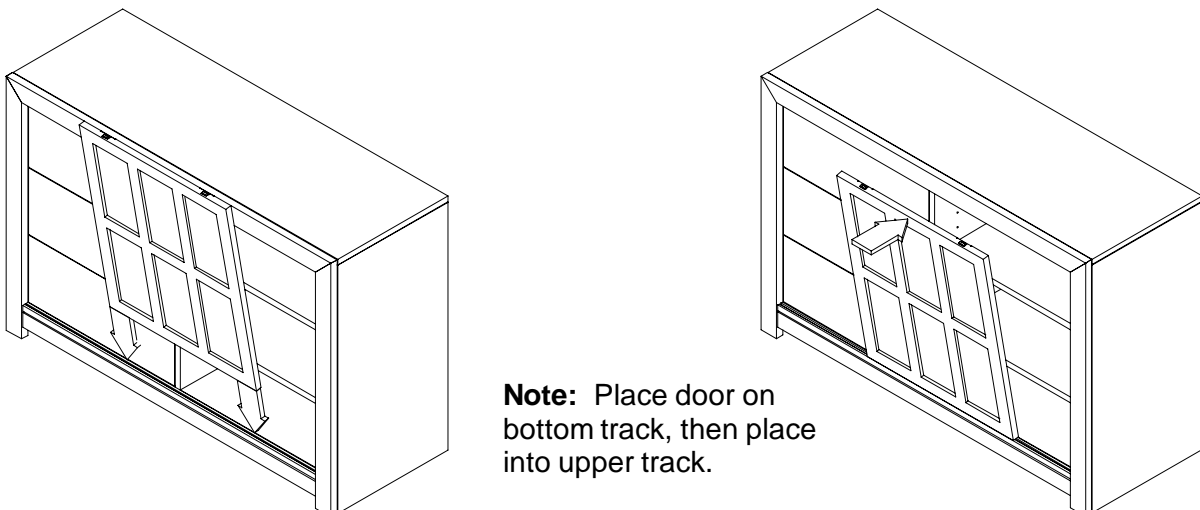


Note: Latch hardware is located on the back side of the door at the top. Check to ensure the latch is in the unlocked position. Latch lever must be in the down position.

Double Dresser

Step 2

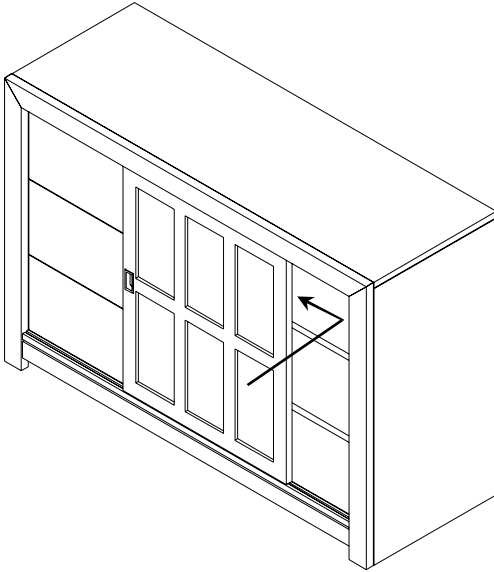
Attach door



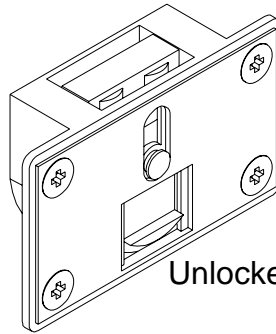
Note: Place door on bottom track, then place into upper track.

Engage latch to lock door into track

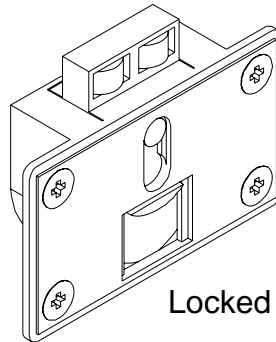
To lock the door, please follow these steps.



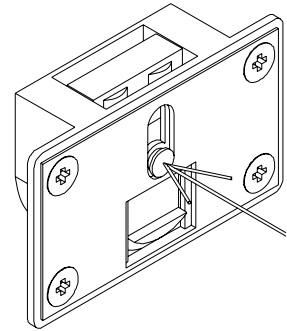
Lock the door into place by reaching behind the door to press the lock button on each latch mechanism.



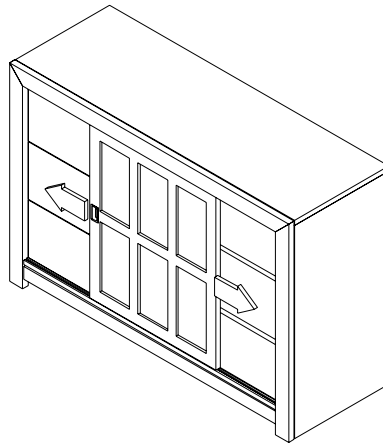
Unlocked



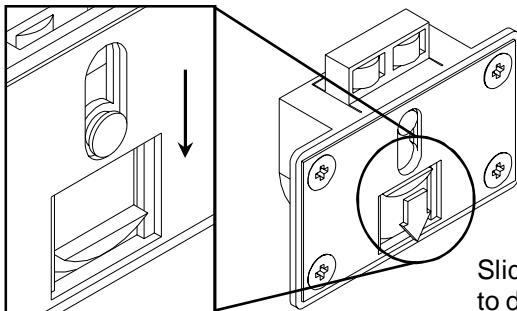
Locked



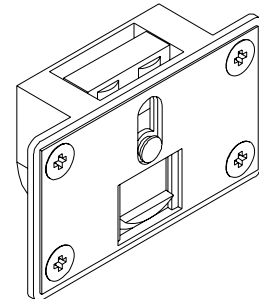
Press the button to engage the lock. The latch mechanism will pop up to lock the door into place.



In order to remove the door, disengage the latch mechanisms on the back of the door by sliding the lever down on both latches. The door is now unlocked and can be removed from the tracks.



Slide lever down to disengage.

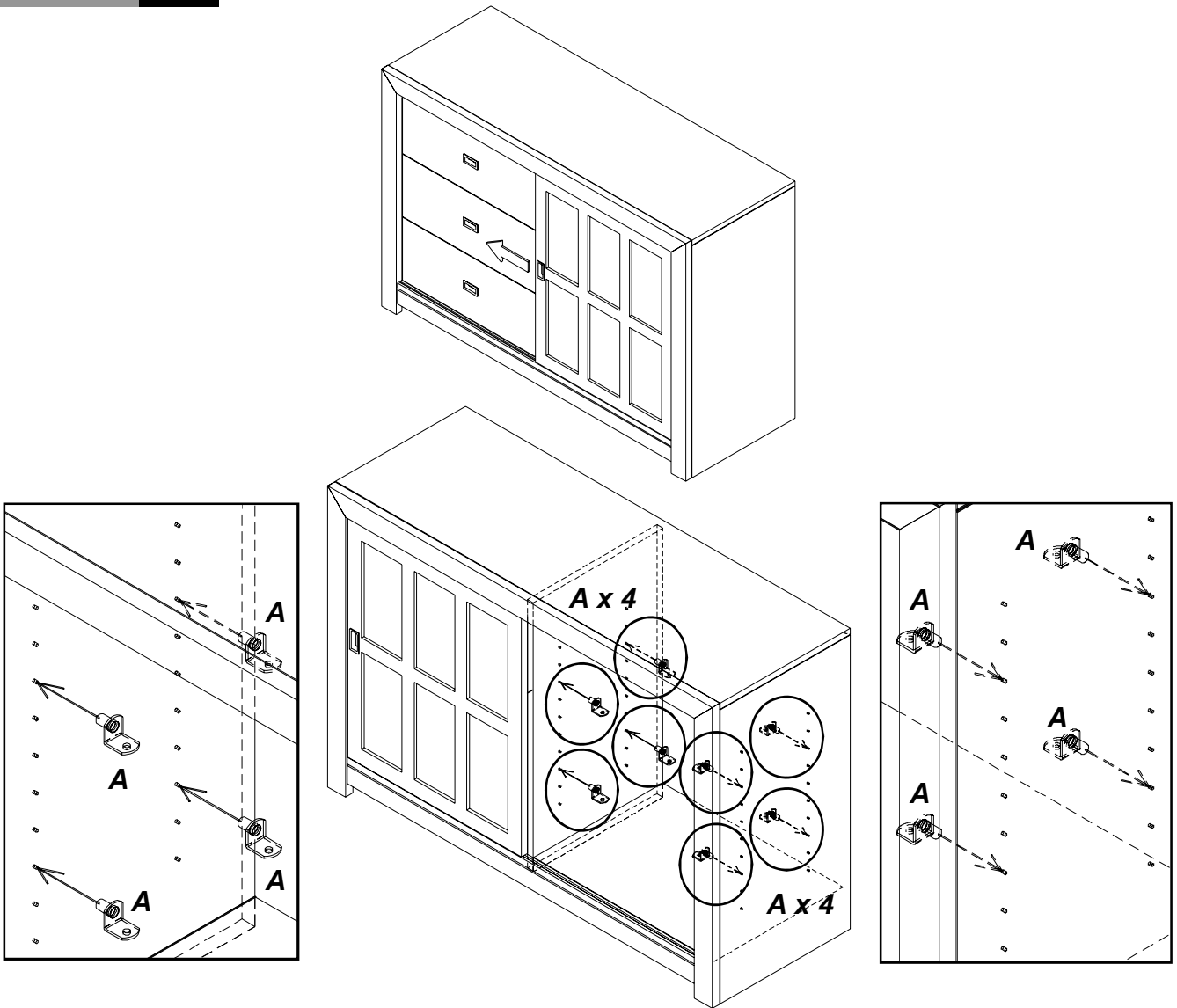


Setting Shelves Inside Double Dresser

Double
Dresser

Step
1

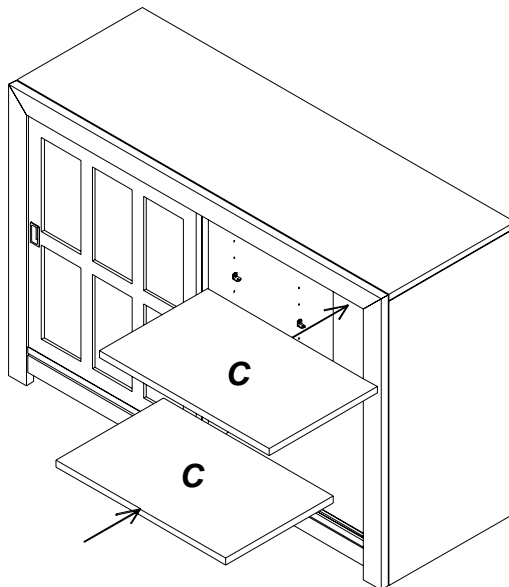
Insert shelf pins to the desired shelf position



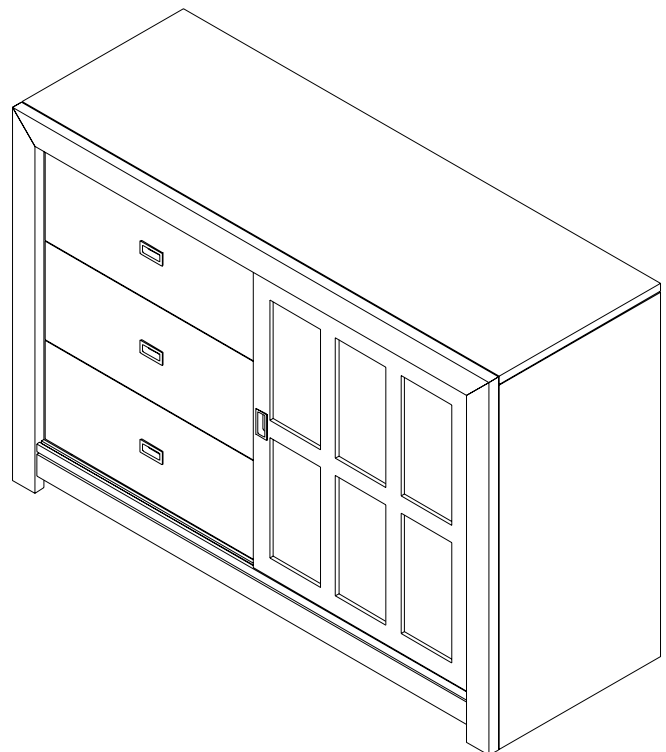
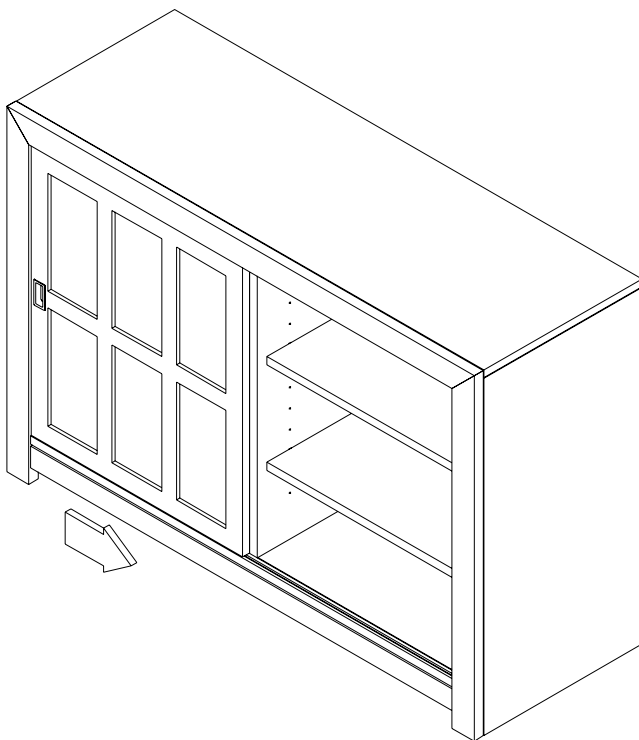
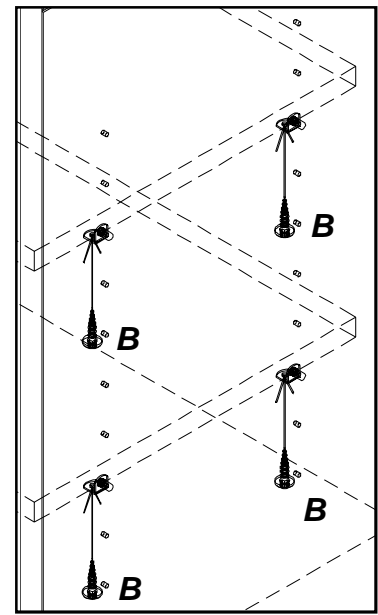
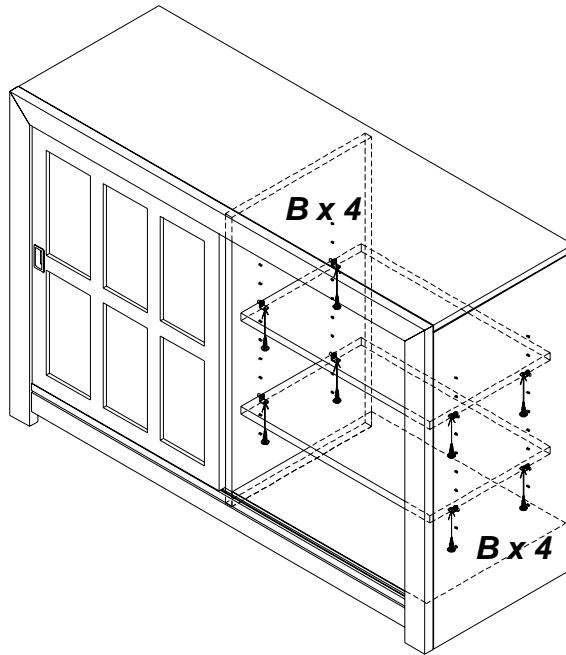
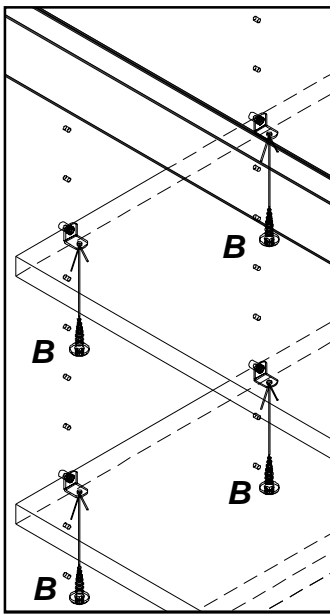
Double
Dresser

Step
2

Place shelves on shelf pins



Attach screws to secure the shelves on shelf pins



Double Dresser



CARE AND MAINTENANCE

When cleaning your furniture, please use a non-toxic, non-abrasive cleaner. Mix a solution of water with a small amount of mild dishwashing liquid. Apply to furniture surface with a soft, damp cloth lightly dampened in solution. After cleaning, dry completely with a soft, dry cloth.